

# K B ELEMENTS



Multi Sparo Espresso Coffee Machine

**ELK204CB**

USER MANUAL

Please read this manual carefully and retain for future references.

# IMPORTANT SAFETY INSTRUCTIONS

1. Make sure that your outlet voltage is correspondent to the coffee machine “220-240V”
2. Place the coffee machine on a flat surface or on a table.
3. NEVER put the coffee machine and cable in water or any other liquid to avoid electric shock.
4. DO NOT USE the coffee machine if the cord or any other part is damaged in order to reduce the risk of electric shock. If you encounter any faults, please contact nearest KB ELEMENTS point of sales.
5. Do not put weights on the cord, and keep it away from hanging over edges or touching hot surfaces to avoid damage.
6. Do not place the coffee machine on or near objects that produce high temperatures such as ovens, heaters, refrigerators, or stovetops.
7. Please use the original accessories only.
8. This machine is only used for making coffee, do not use it for other purposes, and always store it in a dry place.
9. DO NOT touch the hot parts, as it may lead to serious injuries.
10. Clean and maintain the coffee machine and its parts regularly to ensure the quality of the coffee and extend the service life of the machine.
11. Do not move or turn off the power when the coffee machine is in operation.
12. Do not use the coffee machine without water.
13. The coffee machine is for domestic indoor use only. Commercial use is not permitted And it is NOT intended for outdoor use.
14. Before using it for the first time, please brew it at least twice with clean water to remove any odor.
15. The coffee maker should not be placed in a closed cabinet when in use.
16. Keep the coffee machine and its cord out of reach of children.
17. It is always recommended to use filtered water for the coffee machine. This will help extend the service life of the machine.

## NOTE:

When using the machine for the first time or after an extended period of inactivity, fill the milk and water tanks two-thirds full with purified water. Press and hold the cappuccino button for approximately three seconds to flush the water from the milk frother and coffee spout. The machine is then ready for use.

**NOTE: Use only filtered or bottled water. Calcified water is unsuitable.**

# TECHNICAL SPECIFICATIONS

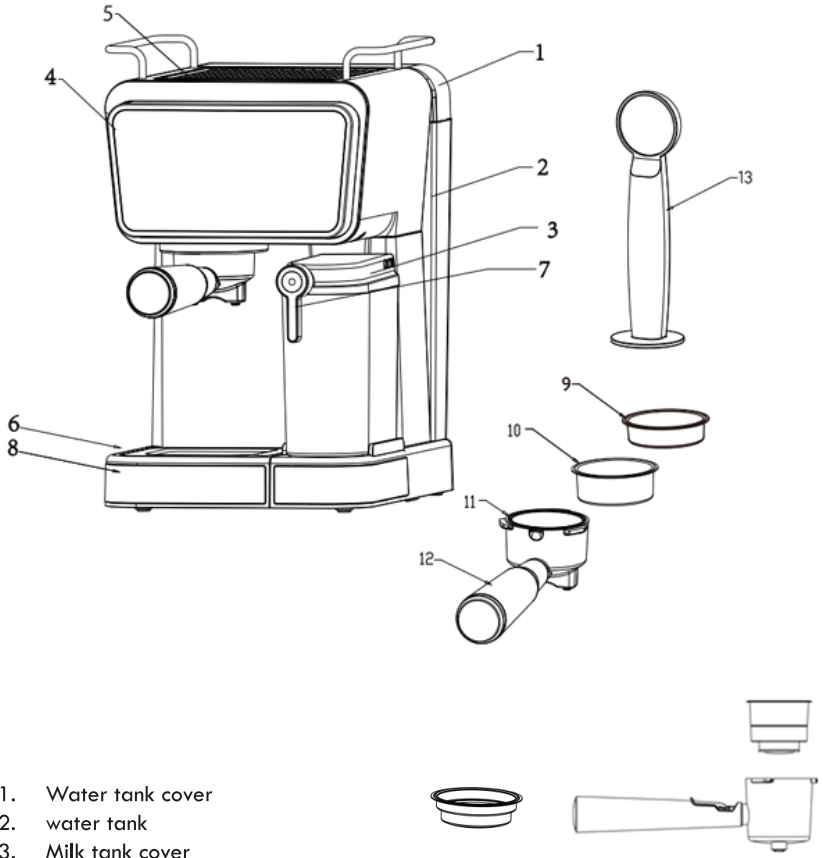
Voltage: 220V-240V ~ 50/60Hz.

Power Consumption: 1350W

20 bar

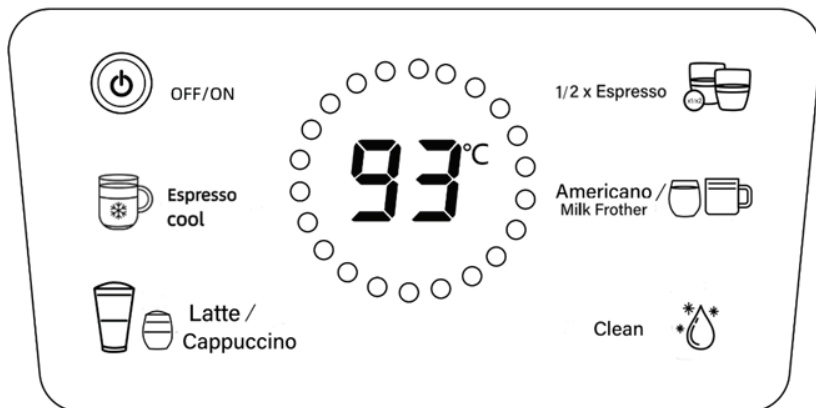
1.5L detachable transparent water tank

500ml detachable transparent milk tank



1. Water tank cover
2. water tank
3. Milk tank cover
4. Control panel
5. Top plate
6. cup plate
7. Foam regulator
8. Drip tray
9. Filter for 1 serving
10. Filter for 2 servings
11. portafilter
12. Portafilter handle
13. Measuring spoon with tamper
14. Portafilter for capsules
15. Filter insert for coffee pads

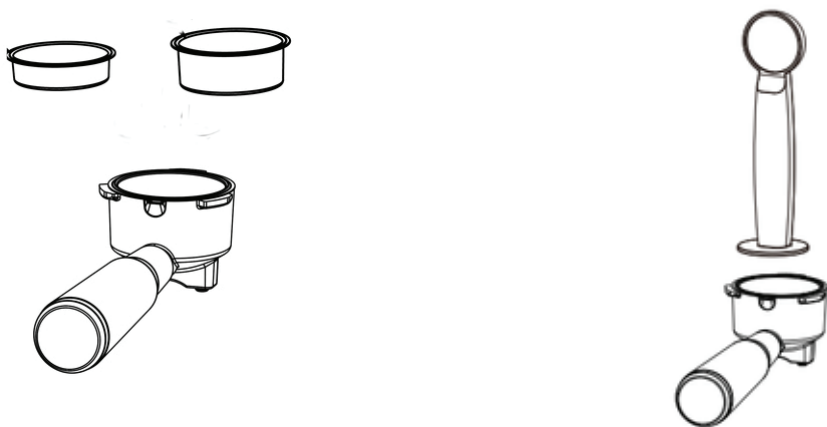
## CONTROL PANEL



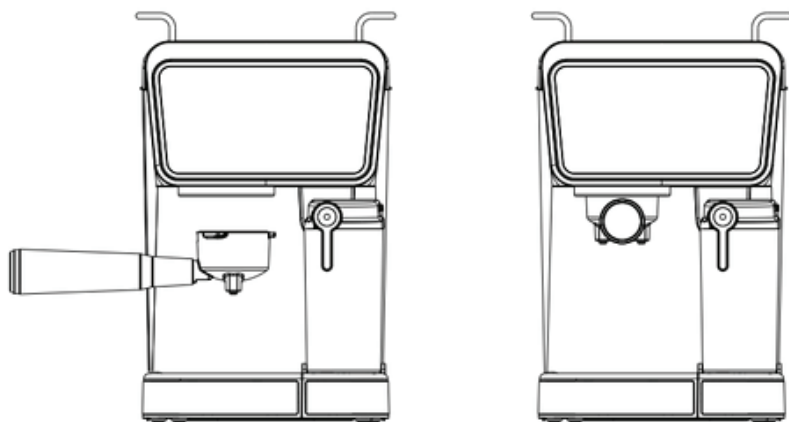
1. CONTROL PANEL
2. ON OFF
3. Cold Espresso
4. Latte / Cappuccino
5. Espresso / Double espresso
6. Americano / Milk frother
7. cleaning

## NORMAL OPERATION – COFFEE PREPARATION

1. Switch off the device and unplug it.
2. Remove the water tank, fill it with cold water (note the MAX mark), and reinsert it.
3. Remove milk tank, fill with cold milk (not above MAX), put back in.
4. Insert the filter into the portafilter, add the coffee powder and press down with the tamper.
  - Fine grind = bitter, too slow flow
  - Coarse ground material = too thin, too fast flow
5. Insert the portafilter into the brewing group and turn it clockwise until it clicks into place.
6. Large cup? Turn the cup plate over.
7. Turn on the device(ON/OFF).



Secure the portafilter into the brew head. Slide the handle towards to the left , then turn the handle to the right until it locks. Release the handle, the portafilter must seat securely in the brew head and point forwards at a 90° angle.



Espresso cold: Ice water in the tank, press "Espresso cold" (approx. 60ml)

Espresso hot: Press button, device heats up (approx. 50ml)

Double espresso: Press and hold the Espresso button for 3 seconds. (approx. 80ml)

Americano: Press button (approx. 120ml)

Milk frother: Press and hold the Americano / Milk Frother button for 3 seconds (approx. 300–400 ml), automatically stops after 90 seconds.

**After preparing milk-based drinks:**

**If you have prepared your drink with milk, you can either store the milk tank in the refrigerator or discard the remaining milk.**

Cappuccino: Press the Latte / Cappuccino button, (approx. 120 ml milk + espresso)

Latte: Press and hold the Latte / Cappuccino button for 3 seconds, (approx. 160ml milk + espresso)

Clean: The machine begins dispensing water through the milk frother (30 seconds) and the coffee dispenser (30 seconds).

Let the machine run for a few seconds until no milk residue remains in the cup.

The process stops automatically after 1 minute.

**NOTICE:** The amount of foam can be adjusted during the brewing process.

Before preparing your latte, set the desired amount of milk foam by sliding the foam amount control forward for more foam or backward for less foam.

**Tips:** After brewing a hot espresso, allow the machine to cool completely before preparing cold brew by pressing the "Espresso Cool" button for 3 seconds to release any hot water, then pressing it again after a short while to stop; after that, the coffee maker is ready to use again.

**NOTICE:** To brew less coffee than the preset amount, press the FUNCTION buttons during the brewing process to stop the process once the desired amount of coffee is reached.

## PREPARATION WITH CAPSULES

Compatible with Nespresso®, Starbucks® and similar coffee capsules from your favorite brands.

- Insert capsule
- Insert and lock the holder
- Place a cup underneath
- Select the type of coffee
- Remove the capsule after brewing and clean the parts



## PREPARATION WITH ESE PADS

- Press the pad into the pad filter
- Insert and lock the portafilter
- Start the brewing process



## CLEANING AND CARE

### Milk tank and foam hose:

- Remove milk tank, remove milk residue
- Use warm soapy water
- Do not scrub
- Press CLEAN butt on (1 minute cleaning process)
- Remove residues, reinsert tank

### Brewing head, portafilter & filter:

- Turn off the device and let it cool down
- Remove and clean the portafilter
- Wipe the brewing head with a damp cloth
- Only run through with water for cleaning
- NOT dishwasher safe

### Water tank:

- Clean with detergent
- Empty regularly

### Housing:

- Do not immerse
- Do not leave the portafilter permanently attached
- Wipe with a soft cloth

### Cooling function

You have to let the machine cool down, if you want to make coffee again after the milk frothing process or to make coffee again immediately after frothing milk. Otherwise, the coffee will be burnt and splashed. You can proceed in the making of a new coffee after the machine cooling down process. Press and hold "Espresso cool" for 3 seconds to release hot water to cool down the appliance. After a while, press it again to stop it. The coffee maker is ready to use it again.

# TROUBLESHOOTING

Problem	Reason	Method
No coffee comes out of the portafilter	No water in the water tank	Fill the tank with water
	The coffee has been ground too finely	Grind the coffee coarsely.
	Too much coffee in the filter	Fill the filter with less coffee
	The machine has not been switched on or connected.	Insert the plug into the socket and switch the machine on.
	The coffee powder has been stamped/pressed too much.	Refill the machine with coffee and do not pound it too hard.
Liquid runs out of the top of the attached portafilter.	The portafilter has not been locked properly.	Turn the portafilter until it is in the locked position.
	Residue on the seal.	Remove the residue.
	Too much coffee in the filter.	Fill the filter with less coffee.
Milk is not frothy after frothing or does not come out of the milk foam tube.	No more steam.	Fill the water tank with water.
	The milk is not cold enough.	Use cold milk.
	The milk foam tube is blocked.	Clean the milk foam tube.
The coffee runs through the filter too quickly.	The coffee has been ground too coarsely.	Grind the coffee finer.
	Not enough coffee in the filter	Pour more coffee into the filter and gently tamp it.
The coffee is too thin.	You have used the small filter for a double espresso.	Use the large filter for double espresso.
	The coffee was ground too coarsely.	Grind the coffee finer.

## ENVIRONMENTAL INFORMATION ON DISPOSAL

This product must not be disposed of with household waste. Please dispose of it at a collection point for electrical and electronic equipment. This will help conserve resources and prevent environmental pollution. This product bears the crossed-out wheeled bin symbol.



To know more about this product, please visit our youtube channel





[www.kbelements.de](http://www.kbelements.de)