

K B ELEMENTS

BUILT-IN ELECTRIC OVEN WITH FULL TOUCH SCREEN

ELK60TM1

USER MANUAL

Please read this manual carefully and retain for future references.

IMPORTANT SAFETY INSTRUCTIONS

- Ensure the oven is properly installed in accordance with national and local safety regulations and all electrical components are correctly set up before use.
 - Remove all packing parts, packing materials and all the protective film (except rating label) before use.
 - To prevent electric shock or fire hazards, do not damage, modify, expose to high temperatures, twist, hang, or pull the power cord too hard.
 - If the power cord is damaged, please contact nearest KB ELEMENTS point of sales for replacement.
 - Before first use, operate the oven empty to eliminate any manufacturing odors.
 - For safety, do not use sealed containers as they may burst under pressure.
 - Ensure the oven door remains closed during operation and is free from obstruction.
 - To prevent electric shock or injury, do not insert any objects, especially metal ones like wires, into the openings.
 - Wear heat-resistant gloves when handling during operation.
 - Do not install decorative door panels, as they may distort from overheating.
 - Maintain a safe distance from the oven during and after use, especially with children around, to avoid burns. Use only heat-resistant pottery inside to reduce fire hazards.
 - To prevent fire, burns, or injury from potential explosions due to pressure buildup, do not place flammable objects like plastic, aluminum foil, or unopened canned products inside the oven.
 - To avoid fire, always monitor the oven when cooking foods with fat or oil.
 - Avoid using the oven to heat the room, as this may cause a fire and reduce its lifespan.
 - Do not disassemble, repair, or modify it yourself. Please contact the nearest KB ELEMENTS point of sale.
 - Do not clean the oven door glass with a rough scrubber or sharp scraper, as it can scratch the glass and potentially cause it to break.
 - Do not clean with a steam cleaner.
 - This oven should be operated only by individuals who are physically, mentally, and sensory capable, unless under supervision or instruction. Ensure children are supervised to ensure their safety and prevent misuse.
 - In case of abnormal operation or malfunction, stop using the oven immediately and unplug it from the power source.
 - Please disconnect the power before replacing the oven's light to prevent the risk of electric shock.
 - Do not touch the bottom when the power is on.
 - Do not touch the sides of the oven door while closing it.
 - Do not leave sugary food residues (such as jam) in the oven.
 - Do not cover the bottom of the oven with aluminum foil, tin foil, or place pans and baking trays directly on the bottom.
 - During oven use, refrain from adding water directly to the baking pan if the surface is still very hot, as this may cause steam, burns, or damage to the enamel surface.
 - It's important to use cleaners that are specifically labeled for use in electric ovens to ensure safety and optimal cleaning results.
- (Avoid actions that could lead to insulation aging and oven damage.)

TECHNICAL SPECIFICATIONS

Model	ELK60TM1
Input	AC 220-240V
Power	3000W
Rated frequency	50/60HZ
Product size(width * depth * height)	59.5cm x 56cm x 59.6cm
Capacity	73L

OVEN STRUCTURE

The Open space oven has a capacity of 73 litres and offers users the option of cooking on 5 shelves at the same time or cooking large quantities which would not necessarily be possible in a traditional oven.

! The first time you use your appliance , heat the empty oven with its door closed at its maximum temperature for at least half an hour . Make sure that the room is well ventilated before switching the oven off and opening the oven door .The appliance may emit a slightly unpleasant odour caused by protective substances used during the manufacturing process burning away.

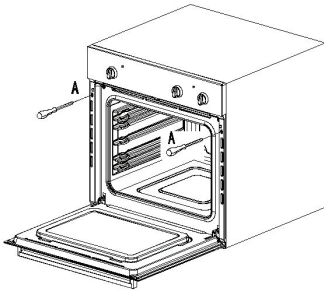
Never put objects directly on the bottom of the oven ; this will prevent the enamel coating from being damaged.

Always place cookware on the rack (s) provided.

We suggest not opening the door when cooking foodstuffs which require leavening, so as to not compromise cooking results.

FASTENING THE OVEN

Insert the Oven into the compartment; open the oven door and fasten the oven to the cabinet using the two screws "A".

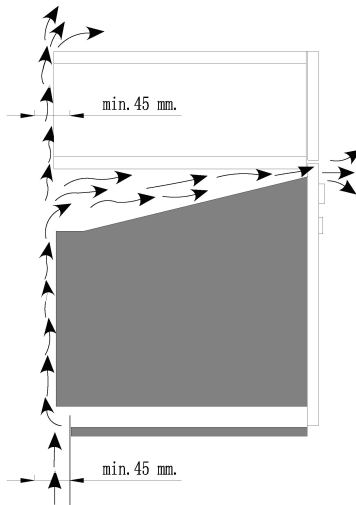


INSTALLATION

Important: the power supply to the oven must be cut off before any adjustments or maintenance work is done on it.

Installation of Built-in Ovens

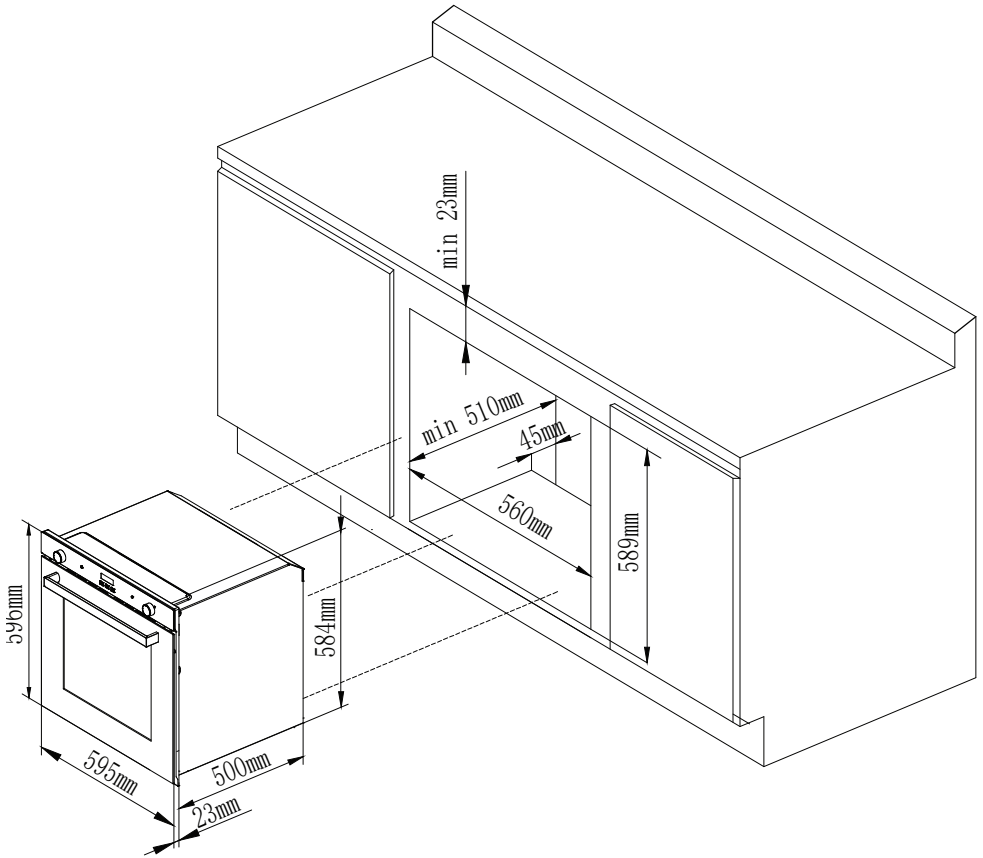
To ensure the proper working order of the built-in appliance, the kitchen unit must be of a suitable size. The sizes of the unit for installing the cooker under a worktop or in a column unit are shown in figure.

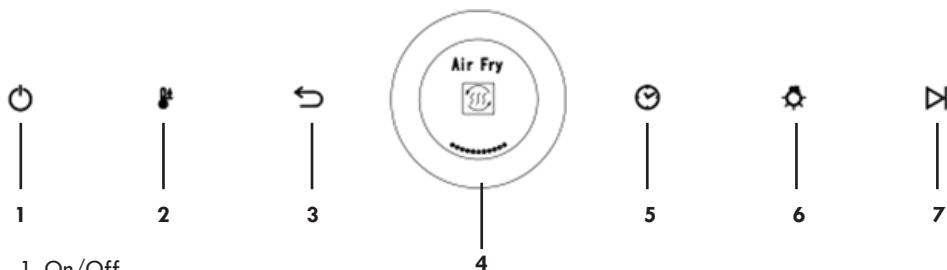


To provide adequate ventilation, there must be appropriate ventilation openings in the front bottom and the top part of 200 cm² , and an exhaust opening on the bottom of an least 200 cm² , and an exhaust opening of at least 60 cm² .

The unit panels next to the cooker must be heat resistant. In the case of veneered wood units, glues must be resistant to a temperature of 120°C.

In accordance with safety standards, once the appliance has been mounted, there must be no possible contact with electrical parts. Any protective parts must be secured so that they can only be removed with the use of tools.





1. On/Off
2. Rapid Preheat (The rapid preheat function allows the oven to reach the desired temperature in the shortest possible time.)
3. Back Button – Cancel
4. TFT Display
5. Timer
6. Lighting
7. Start/Pause

In addition to the display indications during operating modes, there are acoustic signals and TFT light signals:

Acoustic Signals:

- Short beep: Key press confirmation
- Long beep: Timer has reached the set time
- Continuous, intermittent signal: Error detected

TFT Display Light Signals:

- In standby mode, the ring light on the knob is off.
- In cooking mode, the ring light on the knob is red and does not blink.
- In other modes, the ring light on the knob is white and does not blink.

TFT Display Control

1. Rotate:

Turn the knob to navigate between programs and menu options. The currently selected function is displayed on the screen.

2. Press:

Press the knob to select and confirm the highlighted function or setting.

On/Off Button

- If the device is in cooking mode, press and hold the On/Off button for 1.5 seconds to exit cooking mode and switch to standby mode.
- If the device is not in cooking mode, a single press of the On/Off button also switches to standby mode.
- In standby mode, pressing the On/Off button will turn on all six button lights and switch the TFT display to function selection, with the first function set to Air Fryer.

Oven Functions

Note on Functions with Rotisserie Symbol

Some functions display the rotisserie symbol.

- If the rotisserie accessory is installed, the function operates with rotisserie.
- If the rotisserie accessory is not installed, the function operates without rotisserie, meaning only the standard function is available.



Air Fry



Bake: Top/Bottom Heat or Top/Bottom Heat with Rotisserie



Fan Forced: Convection (Circular Fan Heater)



Pizza Bake: Convection with Bottom Heat



Grill: Grill or Grill with Rotisserie



Fan Bake: Top/Bottom Heat with Convection



Eco Grill: Eco Grill or Eco Grill with Rotisserie



Bottom Heat: Bottom Heat or Bottom Heat with Rotisserie



Fan Grill: Convection with Intense Top Heat (Grill)



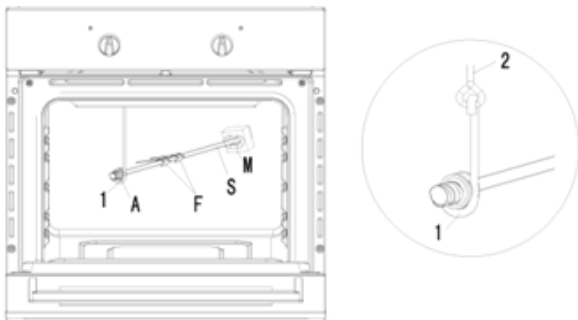
Defrost

Using the Rotisserie

1. Attach the knob protector as shown.
2. Insert the spit end into the motor (M) at the back of the oven.
3. Place the support into the circular groove of the spit.
4. Unscrew and remove the handle (A).
5. Select the program from the menu and start the cooking process.

Note:

Place a baking tray with some water on the lowest rack to prevent burning and fat from sticking.



Function Operation – Example: “Air Fryer”

In standby mode, pressing the On/Off button will turn on all six button lights.

The TFT display switches to function selection, with the first function set to Air Fryer.



Turn the rotary knob clockwise to select the next function in sequence.

Press the TFT display to access the temperature setting, which shows the default temperature.

Turn the TFT display to set the desired temperature.



Press the TFT display to access the cooking time setting screen. The default cooking time is displayed.

Turn the rotary knob to set the minutes from 0–59, then press the TFT display to adjust the hours from 0–9.

The adjustable cooking time range is 0:01 to 9:59.

Before starting, the seconds symbol “:” does not blink



The function setting must be activated by pressing the Start/Pause button.

Start/Pause Button

The Start/Pause button can only be pressed on the cooking time setting screen to start the cooking process and switch to the cooking display.

In this mode, the background effects pulse in a “breathing” pattern, and the seconds symbol “:” does not blink



If you are in the function selection, temperature setting, or cooking time setting screen and the cooking time is set to 0:00, pressing the Start/Pause button will display the message “Please select cooking time” on the TFT display for three seconds.



During the heating process, the Start/Pause button can be pressed at any time to start or pause heating. When setting the Top/Bottom Heat function to 200°C, with an actual temperature of 155°C, a current time of 10:00, and a cooking duration of 3:30, the display will appear as follows:



The actual temperature is displayed, and the background of the TFT display blinks.

Pressing the Start/Pause button pauses the heating process, and the display changes as follows:



The countdown of the remaining time is paused, and the temperature display shows the set temperature. When setting the cooking time, pressing the Start/Pause button confirms the blinking value and starts the process.

Back Button

- In the temperature setting and cooking time setting screens, pressing the Back button returns to the previous selection screen.
- In the cooking display, pressing the Back button will show the message "Cancel cooking?" on the TFT display.



Pressing the TFT display ends the cooking process and returns to the function selection. If the Back button is pressed or the message "Cancel cooking?" does not appear within 3 seconds, the cooking display remains active.

Alarm Setting

- **In Cooking Mode:** Pressing the Timer button once opens the alarm setting screen and displays the alarm symbol “🕒.”
- Turn the TFT display to set the minutes from 0–59.
- After adjusting the minutes, you can either press the Start/Pause button to confirm, or press and turn the TFT display to set the hours. Confirmation is done by pressing the TFT display or the Start/Pause button.
- To deactivate the alarm, set the time to 0:00.
- When the alarm time is reached, the buzzer sounds for 60 seconds and the alarm symbol “🕒” flashes.
- The buzzer can be stopped by pressing any button or by pressing/turning the TFT display, 🕒 which also stops the symbol from flashing.

Duration (Adjustable Range: 0:01–9:59)

- In the cooking status display, pressing the Timer button twice allows you to change the cooking duration.
- Turn the TFT display to set the minutes from 0–59.
- After adjusting the minutes, you can either press the Start/Pause button to confirm, or press and turn the TFT display to set the hours. Confirmation is done by pressing the TFT display or the Start/Pause button.
- After preheating, the buzzer sounds three short beeps before the countdown begins, and the seconds symbol “:” starts blinking.
- When the countdown ends, the buzzer sounds for 60 seconds and the message “Cooking Completed” is displayed.
- After 3 minutes, the device automatically switches to standby mode.



During the countdown, you can stop the buzzer at any time by pressing any button or by pressing or turning the TFT display. This also cancels the symbol display, and the device returns to standby mode..

Temperature Display

During the heating process, the temperature display shows the actual temperature.



Except for the defrost function, pressing the Start/Pause button displays the actual temperature. In defrost mode, only the set temperature is shown.



Rapid Preheat

The rapid preheat function is primarily used to preheat the oven.

If the set temperature is above 100°C and the selected mode allows rapid preheating, the function can be activated at any time before preheating is complete by pressing the Rapid Preheat button

Child Lock

To prevent accidental operation of the buttons, a child lock function is available.

- The child lock can be activated by pressing and holding the Start/Pause button for more than 3 seconds, except in standby or energy-saving mode.
- The display will show the symbol “” to confirm activation.
- If any button is pressed while the child lock is active, the “” symbol will flash to indicate that the device is currently protected.

To deactivate the child lock, press and hold the Start/Pause button again for more than 3 seconds.

Setting

In the function selection, turn the rotary knob all the way to access the settings screen.



Time Settings

In the settings screen of the function selection, press the TFT display to access the clock settings.

- Press the rotary knob and turn the TFT display to set the minutes from 0–59.
- Then press and turn the TFT display to adjust the hours.
- Finally, press the TFT display to confirm the settings and return to the current time display.



Clock Display Settings

When accessing the clock display settings, you can turn the TFT display to choose between the following options:

- Analog (default in standby mode)
- Digital (Standby Mode 1)
- Off (no time display, Standby Mode 2)

Press the TFT display to confirm your selection and return to the previous screen showing the current clock settings.



Sound Settings

In the settings screen, turn the TFT display clockwise to access the sound settings.

- Press and turn the TFT display to adjust the key tone volume. Four levels are available: Off, Level 1, Level 2, Level 3.
- Press the rotary knob to switch to the alarm volume setting screen.



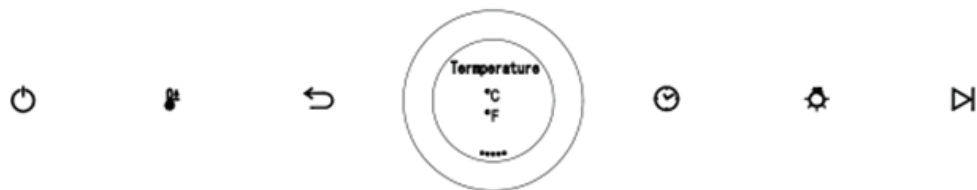
From the alarm volume setting screen, turn the TFT display to select the desired alarm volume. Three levels are available: Level 1, Level 2, Level 3.

Press the TFT display to confirm and return to the previous sound settings screen.

Temperature Settings

In the settings screen, turn the TFT display clockwise to access the temperature unit settings (default: °C).

- Press and turn the TFT display to select the desired temperature unit.
- Press the rotary knob to confirm the selection and return to the previous temperature unit settings screen.



Demo Mode

In the settings screen, turn the TFT display clockwise to access the demo mode settings (default: Off).

- Press and turn the TFT display to choose between Off and On.
- Press the TFT display to confirm the selection and return to the previous demo mode screen.

In demo mode, the TFT display shows “Demo” in the cooking display to indicate that the program is functioning normally.

- The cooling and convection fans, as well as the halogen lamp, operate normally.
- Other heating elements are not active in this mode.



Language Settings

In the settings screen, turn the TFT display clockwise to access the language settings (default: English).

- Press and turn the TFT display to select your preferred language. Available languages: English, Russian (русский), and Spanish.
- Press the TFT display to confirm the selection and return to the previous language settings screen.



Control Rules and Related Requirements

Lighting

- In standby and energy-saving mode, the lighting button is not illuminated, and the lighting cannot be turned on or off.
- At any other time, the lighting button can be pressed to turn the lighting on or off.
- When switching to a function mode, the lighting turns on automatically; when exiting the function mode, it turns off.
- The lighting automatically turns off after 3 minutes of operation.

Error Indicators

- If an error, conflict, or other malfunction occurs, the digital time display shows specific error codes. The meanings of these codes are as follows:



Error Messages:

Er01 – No Temperature Sensor

The control board does not detect a temperature sensor (or the temperature may be too high).

- The oven stops the heating process, and the cooling fan is activated.
- The control board's temperature priority has the highest priority.

Er02 – Short Circuit in Temperature Sensor

Due to the sensor characteristics, a short circuit corresponds to a very low temperature.

- In this case, the oven stops the heating process, and the cooling fan is activated.
- The control board's temperature priority has the highest priority.

ENVIRONMENTAL INFORMATION ON DISPOSAL

This product must not be disposed of with household waste. Please dispose of it at a collection point for electrical and electronic equipment. This will help conserve resources and prevent environmental pollution. This product bears the crossed-out wheeled bin symbol.



To know more about this product, please visit our youtube channel





www.kbelements.de