

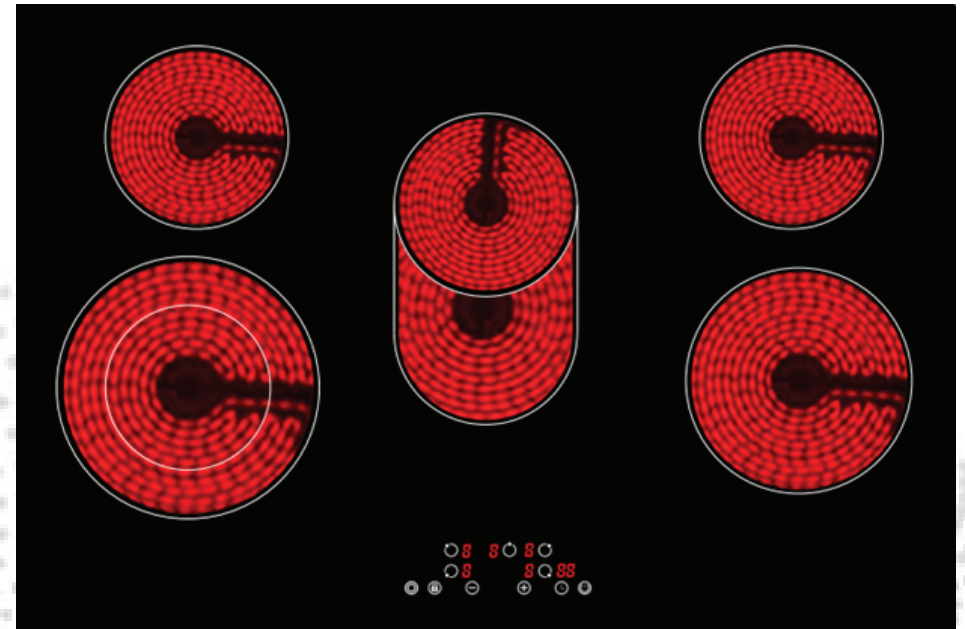
K B ELEMENTS

GERMAN STANDARDS

5 Hobs Ceramic cooker

ELK77CR1

USER MANUAL



Our self-sufficient ceramic cooker offers numerous advantages. The independence of each hob enables flexible and individual control of the cooking zones.

This self-sufficiency makes it possible to prepare different dishes at different temperatures at the same time. In addition, the separate operation facilitates precise control of each hob.

Our self-sufficient ceramic cooker therefore offer an efficient and user-friendly solution for the kitchen, providing maximum flexibility and control over the cooking process.

Thank you for choosing KB ELEMENTS Products, please read carefully the instructions and precautions indicated in this Manual, and keep it for future reference.

SAFETY INSTRUCTIONS

In order to prevent possible injuries or electric shock, please abide by the following instructions:

- Do not use if the plug cord is damaged or the power plug does not fit the socket safely.
- Do not modify the parts or repair the unit by yourself.
- Do not use the unit near flame or wet places.
- Do not allow children to use the unit by themselves and don't use it where children can easily touch it.
- Do not move the unit when the pot or the pan is still placed on it.
- Do not heat an empty cooking pot or overheat the pot.
- Do not place metallic objects such as knives, forks, spoons, lids, cans, and aluminium foils etc. on top of the plate.
- Ensure that there is sufficient space around the unit. Keep the front side and either right or left side of the unit clear.
- Do not place paper between the pot or the pan and the unit as it may get burnt and cause fire.
- Do not block the air intake or exhaust vent.
- Do not touch the top plate immediately after removing the pot or the pan since it needs time to cool down.
- Only qualified technicians should replace the power cord.
- If the surface is cracked, switch off the appliance to avoid the possibility of electric shock.
- This appliance is not intended for use by persons (including children) with lack of handling experience and knowledge or with reduced physical, sensory, or mental capabilities, unless they have been given instructions on use or placed under the supervision by an experienced responsible person.

WARNING: Children should be supervised to ensure they do not play with the appliance.



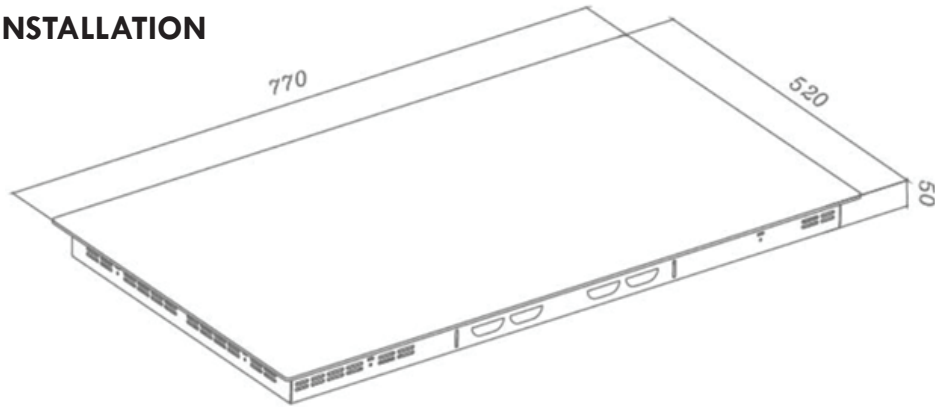
CAUTION! Surface remains hot after use!

Do not touch the top plate immediately after use as the temperature decreases slowly. Always use proper personal protective equipment.

Technical Specifications

- Cooking Zones: 5 zones
- Rated Voltage: 220–240 V~ 50/60 Hz
- Rated Power: 8400 W
- Product Dimensions (D × W × H): 770 × 520 × 50 mm
- Built-in Dimensions (W × H): 740 × 490 mm
- Plug: Direct Connection
- Fuse: Either two 220-volt lines with 16-amp fuses or a single 220-volt line with a 32-amp fuse

INSTALLATION



The settings below are guidelines only. The exact setting will depend on several factors, including your cookware and the amount you are cooking. Experiment with the cooktop to find the settings that best suit you.

- The ceramic cooker hob must be installed by qualified person.
- Do not block the ventilation slots of the device. This may overheat the device. Keep a minimum distance of 10 cm to walls or other items.
- Do not place hot plates next to open fires, heaters, or other heat sources.
- Make sure that the main connection cable is not damaged or squashed beneath the device.
- Make sure that the main connection cable does not get in contact with sharp edges and/or hot surfaces.
- The device should be connected to sufficient power source since the full power is at 7200W.
- Do not install the hob above a dishwasher or washing machine to avoid the exposure of electronic circuits with steam or moisture that may result in damage.

CONNECTION OF THE INFRARED COOKTOP TO THE POWER SUPPLY

This infrared cooktop must only be connected to the power supply by a qualified person. Before connecting the induction cooktop to the socket, check that:

1. The internal wiring system is suitable for the current drawn by the induction cooktop.
 2. The voltage corresponds to the rated value indicated on the nameplate.
 3. The cross-section of the power cable can withstand the load specified on the nameplate.
- Do not use adapters, voltage dividers, or connecting devices to connect the induction cooktop to the power supply, as this may cause overheating and fire.

Power Cable:

The power cable must not touch hot components and must be routed so that its temperature never exceeds 75°C.

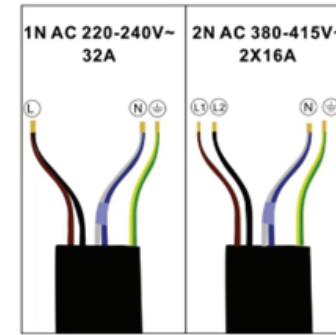
Check with an electrician whether the internal wiring system is suitable without modification.

Any modifications must only be performed by a qualified electrician.

The power supply must be connected in accordance with applicable regulations or via a single-pole circuit breaker. The connection method is shown below.

Connection Requirement:

The cooktop requires either connection to two 220-volt lines with 16-amp fuses or to a single 220-volt line with a 32-amp fuse.



Important Notice:

Under no circumstances should the cooking zone be inadequately ventilated; ensure that the air intake and outlet openings are not blocked. Make sure the cooktop functions properly, as shown in the installation plan.

Any defect or damage caused by incorrect installation will void the warranty and guarantee. We assume no liability for economic or personal damages resulting from improper installation. Installation must be carried out exclusively by qualified personnel.

Minimum Distances

To ensure safe operation, the electronics of the cooktop must be properly cooled. Therefore, all minimum distances must be observed during installation:

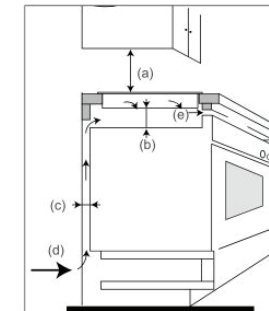
(a) The distance between the cooktop and the range hood must be:

- at least 600 mm for induction or electric cooktops
- at least 760 mm for gas cooktops

(b) For sufficient cooling, the cooktop must be separated from the rest of the cabinet or oven by a horizontal protective wooden plate, with a clearance of at least 50 mm between the cooktop bottom and the protective plate. Any existing side walls or drawer units must be cut out or removed accordingly.

(c) The ventilation supply beneath the cooktop must be ensured by a clearance of at least 20 mm for cold air supply.

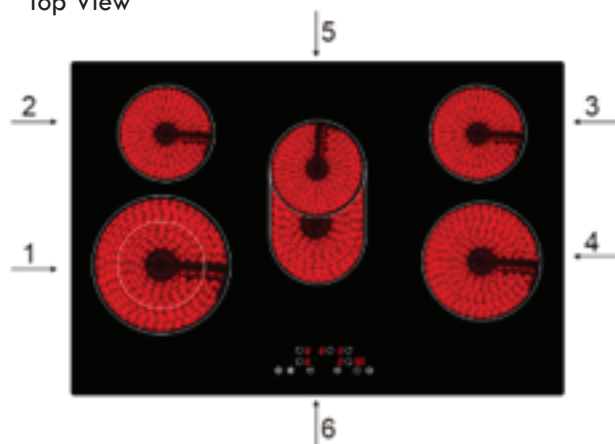
(e) At the front of the kitchen cabinet or oven, a clearance of at least 5 mm must be maintained.



- (b) ≥ 50 mm
- (c) ≥ 20 mm
- (d) Lufteinlass

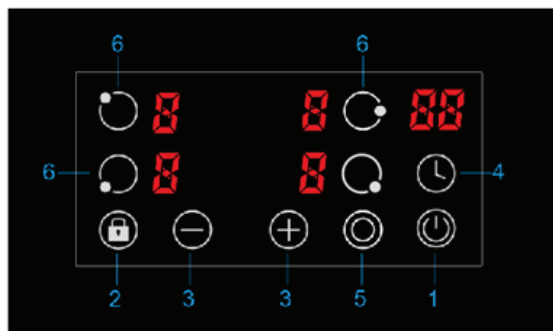
DESCRIPTION OF THE APPLIANCE

Top View



1. max.2200W zone
2. max.1200W zone
3. max.1200W zone
4. max.1800W zone
5. max.2000W zone
6. Control panel

THE CONTROL PANEL



1. ON/OFF
2. Child Lock
3. Select Power Level or Time
4. Timer
5. Double-Ring Function
6. Select Cooking Zone

STARTING TO COOK

After switching on the cooktop, a beep will sound. All indicators will light up for one second and then turn off again – the cooktop is now in standby mode.

Touch the ON/OFF button; all displays will show “—”.

Place suitable cookware on the desired cooking zone.

Make sure the bottom of the cookware and the cooking surface are clean and dry.

Touch the cooking-zone selection button – the corresponding indicator next to the button will begin to blink.

Select a power level by touching the “+” or “-” buttons.

• If you do not select a power level within 1 minute, the cooktop will switch off automatically.

Start again from step 1.

• You can adjust the power level at any time during cooking

AFTER COOKING

1. Touch the cooking-zone selection button of the zone you want to turn off.

2. Turn off the cooking zone by setting the power level to “0” or by touching the “-” and “+” buttons simultaneously. Ensure the display shows “0”.

3. Turn off the entire cooktop by touching the ON/OFF button.

4. **Caution: Hot surface!**

When the indicator “H” appears, the cooking zone is still too hot to touch.

The symbol will disappear once the surface has cooled down to a safe temperature.

You can also use the residual heat efficiently to keep food warm or continue heating it on the hot zone..

ACTIVATING THE DOUBLE-RING FUNCTION

1. Select the cooking zone for which you want to activate the double-ring function.

2. Touch the “Dual Ring” button. The display will then alternately show “=” and the power level.

NOTE: This function can only be used for the double-ring cooking zone. It cannot be activated on other cooking zones.

DEACTIVATING THE DOUBLE-RING FUNCTION

1. Select the cooking zone for which you want to deactivate the double-ring function.

2. Touch the “Dual Ring” button to switch off the double-ring function

USING THE CHILD LOCK (KEY LOCK)

- You can lock the control panel to prevent accidental operation (for example, if children accidentally turn on the cooktop).
- When the Child Lock is activated, all controls are disabled except for the Power On/Off button.

To activate the Child Lock:

1. Touch and hold the Lock button for 2 seconds.
2. “Lo” (Locked) will appear on the timer display.

To deactivate the Child Lock:

1. Make sure the cooktop is turned on.
2. Touch and hold the Lock button for 2 seconds.
3. The cooktop is now unlocked and ready for normal operation.

When the cooktop is in lock mode, all buttons except the Power On/Off button are disabled.

In case of emergency, you can always switch off the cooktop using the Power button.

Before the next use, you will need to unlock it again.

USING THE TIMER FUNCTION

The timer can be used in two ways:

• As a Minute Minder:

The timer counts down without turning off any cooking zone automatically.

• As an Automatic Shut-Off Timer:

One or more cooking zones switch off automatically when the set time has elapsed.

- The timer can be set for up to 99 minutes.

Using the Timer as a Minute Minder

1. The Minute Minder can only be set after selecting a power level for a cooking zone.
2. Touch the Timer button – “10” will appear and start blinking on the timer display.
3. Set the desired time using the “+” or “-” buttons.
4. After setting, the timer automatically starts counting down. The display shows the remaining time.
5. When the time expires, a beep will sound for 30 seconds, and the display will show “--”.

Tip:

- Touching the button once changes the time by 1 minute.
- Holding the button changes it by 10 minutes.

Using the Timer for Automatic Shut-Off

1. Touch the Cooking Zone Selection button for the zone you want to set a timer for – the indicator will blink.
2. Touch the Timer button – “10” will appear and start blinking on the display.
3. Set the desired time using “+” or “-”.
4. After setting, the countdown begins immediately, and the remaining time will be shown.

Note:

A small red dot at the bottom right of the power display indicates which zone is currently selected.

5. When the set time expires, the corresponding cooking zone will turn off automatically. Other active zones will remain on.

If Multiple Timers Are Set

1. When several zones have active timers, red dots will appear next to those zones. The timer display always shows the shortest remaining time, and the corresponding zone indicator blinks.
 2. When one timer finishes, that zone switches off, and the display moves to the next active timer zone.
- Note:
Touching the Cooking Zone Selection button shows the timer for that specific zone on the display.

Canceling the Timer

1. Select the cooking zone whose timer you want to clear.
2. Touch the Timer button – the display will blink.
3. Touch “-” or both “-” and “+” simultaneously until “00” appears – the timer is now deactivated.

AUTOMATIC SHUT-OFF SAFETY FUNCTION

The automatic shut-off is a safety feature of your induction cooktop. It activates if a cooking zone is accidentally left on.

Standard Shut-Off Times by Power Level:

Power Level – Operating Time

- Power Level 1 – 8 hours
- Power Level 2 – 8 hours
- Power Level 3 – 8 hours
- Power Level 4 – 4 hours
- Power Level 5 – 4 hours
- Power Level 6 – 4 hours
- Power Level 7 – 2 hours
- Power Level 8 – 2 hours
- Power Level 9 – 2 hours

Note: If the pot is removed, the cooking zone stops heating immediately, and the cooktop will automatically switch off after 1 minute.

Residual Heat

If the cooktop has been in operation for an extended period, residual heat remains. The symbol “H” indicates that the cooking zone is still hot and warns against touching it.

TROUBLESHOOTING

Problem	Possible Cause	What to Do
The cooktop cannot be turned on.	No power.	Ensure the cooktop is connected to the power supply and switched on. Check for a power outage in your home or area. If the problem persists, call a qualified technician.
The touch controls do not respond.	Controls are locked.	Unlock the controls. See the section "Using the Cooktop."
The touch controls are difficult to operate.	There may be a thin layer of water on the controls, or you are using the fingertip instead of the pad of your finger.	Make sure the control surface is dry, and use the pad of your finger to operate the controls.
The glass gets scratched.	Cookware with rough edges; unsuitable, abrasive scouring pads or cleaning products are used.	Use cookware with flat, smooth bottoms. See the section "Selecting Cookware." Also see "Maintenance and Cleaning."
Some pots make crackling or clicking noises.	The construction of the cookware (different metal layers vibrate differently).	This is normal and does not indicate a defect.
The induction cooktop emits a low humming at high heat.	Caused by the induction technology.	This is normal; the noise decreases or disappears if you lower the power level.
Fan noises come from the cooktop.	The built-in fan runs to protect the electronics from overheating.	This is normal and requires no action. Do not switch off the cooktop at the wall while the fan is running.
Pots do not get hot and the cooktop shows "–".	Cookware is not suitable for induction, too small, or not centered on the cooking zone.	Use suitable induction cookware. See the section "Selecting Cookware." Center the pot and ensure the bottom matches the size of the cooking zone.
The cooktop or a cooking zone turns off unexpectedly, a signal sounds, or an error code is displayed.	Technical fault.	Note the error letters and numbers, switch off the cooktop at the wall, and contact a qualified technician.

To know more about this product, please visit our youtube channel

