

K B ELEMENTS

PREMIUM ISLAND KITCHEN HOOD

ELK26BR1

USER MANUAL

Please read this manual carefully and retain for future references.

IMPORTANT INFORMATION

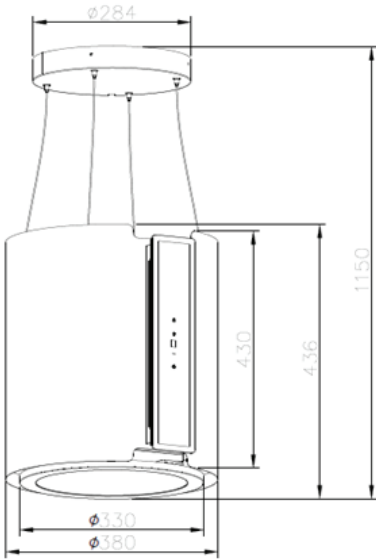
- The socket for the range hood must be properly grounded.
- Ensure the stove is turned off when not in use. Never expose the range hood to direct flame, as this can cause overheating and pose a safety risk.
- When using the range hood with gas or other fuel stoves, always ensure adequate ventilation in the room.
- In case of a grease fire: Immediately cover the pan with a lid to smother the flames. Turn off both the range hood and the power supply to prevent the fire from spreading. Failure to turn off the hood can allow flames to spread, creating a serious safety hazard.

ADDITIONAL PRECAUTIONS

- If the range hood will not be used for an extended period, unplug it or turn off the switch at the socket.
- Observe all regulations regarding gas emissions.
- Ensure that the range hood's exhaust is not connected to flues or smoke channels of gas or fuel-fired appliances.
- This range hood is intended for domestic use only and is not suitable for industrial, commercial, or specialized environments.
- Do not operate the hood if there is a gas leak, as this may cause a fire.
- When the hood is not in use for a long period, unplug it or disconnect the power supply.
- Compliance with legal regulations for gas exhaust is mandatory.

TECHNICAL DATA

1. Lighting: 5-Watt LED lamp
2. Airflow: 1000 m³/h
3. Motor power: 230 W
4. Motor type: DC
5. Power levels: 9
6. Control: Touch / Gesture control / Remote control
7. Filter: Activated carbon filter + ALU grease filter
8. Color: Black
9. Weight: 25.8 kg
10. Power connection: Schuko plug
11. Rated voltage: 220–240 V
12. Rated frequency: 50/60 Hz
13. Mounting type: Suspended
14. Housing dimensions: 43.7 cm width, 43.7 cm depth, 44.5 cm height
15. Maximum cable length: 75 cm



ACCESSORIES

1. Ceiling mount
2. Steel cables
3. Mounting hardware
4. 2 × Carbon filters (pre-installed)
5. ALU grease filter (pre-installed)
6. Remote control
7. User manual

REPLACING THE CARBON FILTER

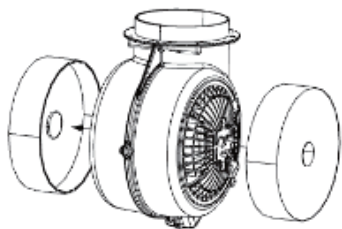
In recirculation mode, the activated carbon filters prevent cooking odors from being released back into the room.

The hood motor is designed so that one activated carbon filter can be mounted on each intake side of the motor.

Activated carbon filters cannot be washed or refilled.

Depending on usage, activated carbon filters should be replaced at least every 12 months.

The active carbon filters are available in our shop.



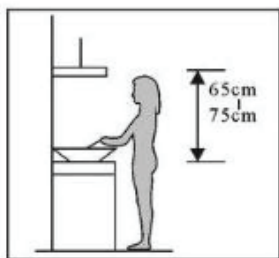
1. Disconnect the hood from the power supply.
2. Unclip the baffle grease filters.
3. Remove the old activated carbon filters by turning them a quarter turn counterclockwise.
4. Attach the new activated carbon filters to the motor and secure them with a quarter turn clockwise using the bayonet mount.
5. Reclip the baffle grease filters.
6. Close the hood panel.
7. Reconnect the hood to the power supply.

INSTALLATION

Note – Recirculation Installation

The range hood factory-set for recirculation operation. The carbon filters are already installed. For use in recirculation mode, you only need to install these filters; no further steps are required.

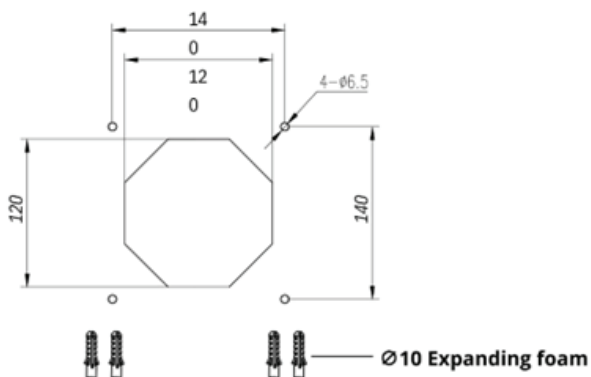
The step to install the exhaust duct is not necessary, nor is the duct itself.



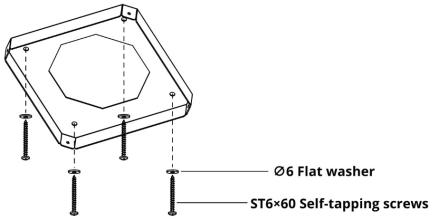
Pic1

Drill hole diameter: \varnothing 8-10 mm

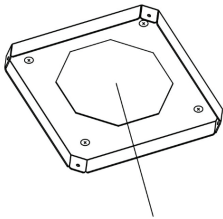
Depth: 65 mm



Step 1: Position the hanging tray at the desired installation location. Mark the drilling points, then drill holes. Insert 4 \varnothing 10 expansion anchors into each hole and secure firmly.

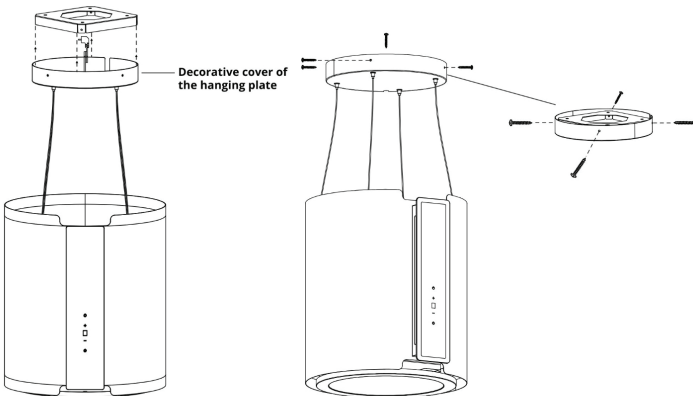


Step 2: Take out the suspension plate and secure it to the ceiling using 4 flat washers (Ø6) and 4 ST6×60 self-tapping screws, ensuring it is firmly fixed.



Power Supply Reserve Location

Step 3: Reserve a power outlet at the attachment position in the center of the suspension tray.



Step 4: Remove the complete unit assembly. After plugging the power cord into the outlet, place the suspension tray cover over the tray and secure it with four M4×10 screws.

CONTROL PANEL DISPLAY



Power button



Increase speed



Display



Decrease speed



Lighting button

When the range hood is switched on again, the power button will blink for 30 seconds. During this period, press any program button on the remote control to pair it. Upon successful pairing, a beep will sound, and the power button will stop blinking. The pairing function ends automatically after 30 seconds or if any button on the range hood is touched during this time. (If a new remote is not paired, the previous pairing remains active by default.)

1. Power Button

Touch the power button: a beep sounds, the indicator light turns on, and the digital display shows “1,” indicating that the fan is running at low speed (level 1). Touch the power button again: a beep sounds, the digital display and indicator light turn off, and the fan stops.

2. Increase Speed Button

While the hood is operating, touch the “Increase Speed” button. A beep sounds, the indicator light flashes briefly, and the digital display shows “2,” indicating the fan is running at the next higher speed. Each subsequent press of the “Increase Speed” button cycles through levels “1, 2, 3, 4, 5, 6, 7, 8, 9.” After reaching level 9 (high), pressing the button again cycles the display backward from 9 to 1.

Speed 9 is the Wok mode. In this mode, the speed display flashes for 5 minutes before returning to level 8. (Alternatively, the “-” button can be pressed to return immediately to level 8.)

3. Decrease Speed Button

When the fan is running at any speed, touching the “Decrease Speed” button will trigger a beep, the indicator light flashes briefly, and the digital display decreases by one level.

The fan then runs at the next lower speed. Each subsequent press decreases the display sequentially from “9, 8, 7, 6, 5, 4, 3, 2, 1.” After reaching level 1, pressing the button again cycles the display from 9 to 1.

4. Light Button

Touch the light button to hear a beep, activate the indicator light, and turn on the light. Press again to hear a beep and turn off the light.

5. Delayed Shutdown

While the fan is running at any speed, touch the “+” and “-” buttons simultaneously for 2 seconds. A beep sounds, the indicator light turns on, and the displayed speed flashes, indicating that the fan has entered delayed shutdown mode. This lasts 5 minutes, after which the fan automatically turns off, accompanied by a 5-second beep.

During the delay, the fan speed can be adjusted without affecting the remaining time. Pressing the “+” and “-” buttons simultaneously again will cancel the delayed shutdown.

6. Pairing the Remote Control



Note: The remote control features an “Auto” button and two buttons without symbols. For this model, these buttons have no function and can be ignored. The remote control is compatible with various models; the buttons mentioned above are not relevant for this device.

Power Button: Press once to trigger a beep, turn on the indicator light, and display “1” on the digital screen, indicating that the fan is running at low speed (level 1). Press again to turn off. (This button can also be used to turn off the fan while it is running.)

Light Button: Press once to trigger a beep and turn on the light. Press again to turn off.

Delay Button: Press this button while the fan is running at any speed. A beep sounds, indicating that the 5-minute delayed shutdown function has been activated. After 5 minutes, the fan and light will turn off automatically. Press the button again to cancel the delayed shutdown function. (The delay mode can also be canceled at any time by pressing the speed adjustment buttons.)

Increase Speed: Press this button while the unit is operating. A beep sounds, indicating that the fan speed has increased by one level.

Decrease Speed: Press this button while the fan is running at any speed. A beep sounds, indicating that the fan speed has decreased by one level.

MAINTENANCE

- Always unplug the appliance before performing any maintenance.
- Wear protective gloves to avoid cuts.
- Do not allow water to enter electrical components.
- Replace damaged power cords only with manufacturer-approved replacement parts.
- Regularly clean grease filters, air guide rings, fan wheels, and oil collectors.
- Wipe the exterior casing after each use with a dry or slightly damp cloth and a neutral cleaner.
- Clean the air guide ring regularly and the smoke covers immediately after use.
- Use only neutral cleaning agents to avoid damaging the protective coating of the hood.
- Regularly empty and clean the oil collector.
- Failure to follow these cleaning instructions may pose a fire hazard.

CLEANING AND CARE

- Use only neutral cleaning agents for cleaning components; avoid strong acids or alkalis.
- To prevent deformation or damage, soak parts for 30 minutes before cleaning.
- Rinse components thoroughly with clean water after cleaning and dry them with a soft cloth.
- Clean electrical components only with a dry, soft cloth or soft brush; do not apply water or cleaning agents to electrical parts.
- After maintenance, reassemble the components in the reverse order of disassembly.

TROUBLESHOOTING

1. Fault: Light on, motor does not work

Cause: Blockage present

Solution: Remove the blockage

2. Fault: Capacitor damaged

Cause: Capacitor defective

Solution: Replace the capacitor

3. Fault: Motor jammed / bearing damaged

Cause: Motor bearing damaged or motor jammed, possible unusual smell from motor

Solution: Replace the motor

4. Fault: Light does not work

Cause: Lamp defective

Solution: Replace the lamp

5. Fault: Oil drips from the metal grease filter

Cause: Heavily soiled filter

Solution: Clean or replace the metal grease filter immediately

6. Fault: Device shakes / vibrates

- **Cause:** Defective blade causing vibration

- **Solution:** Replace the blade

- **Cause:** Motor not properly secured

- **Solution:** Secure the motor tightly

- **Cause:** Housing not properly secured

- **Solution:** Secure the housing tightly

7. Fault: Insufficient suction

- **Cause:** Distance between hood and cooktop too large

- **Solution:** Readjust the distance

- **Cause:** Excessive ventilation from open doors or windows

- **Solution:** Choose a new location and reposition the appliance accordingly

To know more about this product, please visit our youtube channel



