

K B ELEMENTS

PREMIUM WALL KITCHEN HOOD

ELK60AB1

USER MANUAL

Please read this manual carefully and retain for future references.

IMPORTANT INFORMATION

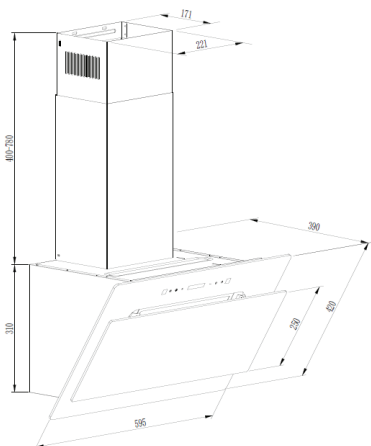
- The socket for the range hood must be properly grounded.
- Ensure the stove is turned off when not in use. Never expose the range hood to direct flame, as this can cause overheating and pose a safety risk.
- When using the range hood with gas or other fuel stoves, always ensure adequate ventilation in the room.
- In case of a grease fire: Immediately cover the pan with a lid to smother the flames. Turn off both the range hood and the power supply to prevent the fire from spreading. Failure to turn off the hood can allow flames to spread, creating a serious safety hazard.

ADDITIONAL PRECAUTIONS

- If the range hood will not be used for an extended period, unplug it or turn off the switch at the socket.
- Observe all regulations regarding gas emissions.
- Ensure that the range hood's exhaust is not connected to flues or smoke channels of gas or fuel-fired appliances.
- This range hood is intended for domestic use only and is not suitable for industrial, commercial, or specialized environments.
- Do not operate the hood if there is a gas leak, as this may cause a fire.
- When the hood is not in use for a long period, unplug it or disconnect the power supply.
- Compliance with legal regulations for gas exhaust is mandatory.





TECHNICAL DATA

1. Lighting: 3-Watt LED lamp
2. Airflow: 1000 m³/h
3. Motor power: 230 W
4. Motor: DC
5. Power levels: 9
6. Control: Touch / Gesture control / Remote control
7. Filter: Activated carbon filter + ALU grease filter
8. Color: Black
9. Weight: 20.5 kg
10. Power connection: Schuko plug
11. Rated voltage: 220–240 V
12. Rated frequency: 50/60 Hz
13. Mounting type: Freestanding and chimney (recirculation or exhaust)
14. Air outlet: 150 mm
15. Housing dimensions: 60 cm width, 39.5 cm depth, 31 cm height
16. Chimney dimensions: 22.1 cm width, 17.1 cm depth, 400–800 cm height



ACCESSORIES

1. Inner chimney brackets
2. Outer chimney brackets
3. Wall hooks
4. Exhaust duct
5. Mounting hardware
6. 2 × Carbon filters (pre-installed)
7. ALU grease filter (pre-installed)
8. Remote control
9. User manual

-  ×6 Cross-head flat-head self-tapping screw/ST4*40
-  ×9 Wall plugs /Φ8*37.5
-  ×3 Cross-recess countersunk self-tapping screw/ST4*40
-  ×6 Cross-head flat-head self-tapping screw/ST4*8



×1 Hooking plate



×1 Inner chimney bracket



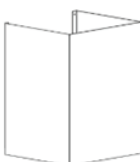
×1 Outer chimney bracket



×1 Extensible pipe



×1 Inner chimney



×1 Outer chimney

REPLACING THE CARBON FILTER

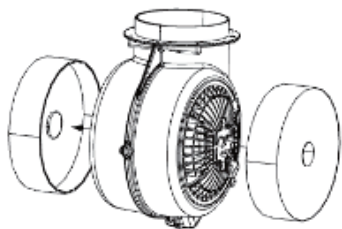
In recirculation mode, the activated carbon filters prevent cooking odors from being released back into the room.

The hood motor is designed so that one activated carbon filter can be mounted on each intake side of the motor.

Activated carbon filters cannot be washed or refilled.

Depending on usage, activated carbon filters should be replaced at least every 12 months.

The active carbon filters are available in our shop.



1. Disconnect the hood from the power supply.
2. Unclip the baffle grease filters.
3. Remove the old activated carbon filters by turning them a quarter turn counterclockwise.
4. Attach the new activated carbon filters to the motor and secure them with a quarter turn clockwise using the bayonet mount.
5. Reclip the baffle grease filters.
6. Close the hood panel.
7. Reconnect the hood to the power supply.

INSTALLATION

Note – Recirculation Installation

The range hood factory-set for recirculation operation. The carbon filters are already installed. For use in recirculation mode, you only need to install these filters; no further steps are required.

The step to install the exhaust duct is not necessary, nor is the duct itself.

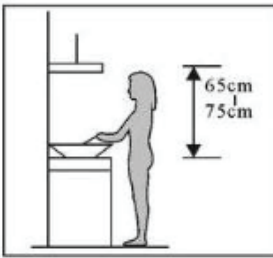
Note – Ducted Installation

For exhaust operation, the two carbon filters that are already mounted on the motor must be removed.

For removal of the carbon filters, see the section “Replacing Carbon Filters.”

If you have an outlet to the outside, your cooker hood can be connected through an exhaust duct with an internal diameter of 150 mm, as shown in the illustration below.

The cooker hood should be installed at a distance of 65–75 cm above the cooking surface for optimal performance. See Fig. 1.



Pic1

Step 1: Preparation

First, mark the desired height of the range hood above the cooktop.

The optimal distance is 65–75 cm.

Step 2: Install Wall Hooks

Drill three holes at the marked positions in the wall.

Attach the wall hooks using the supplied anchors and screws. Make sure they are level.

Step 3: Hang the Range Hood

Carefully hang the range hood on the wall hooks. Check that it is stable.

Step 4: Attach the Outer Chimney

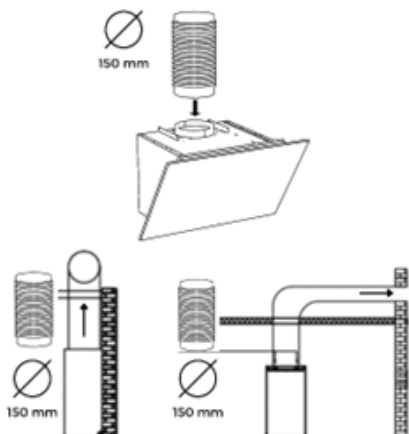
Attach the outer chimney bracket to the outer chimney. Ensure that the inner chimney can still be adjusted in height.

Step 5: Adjust the Inner Chimney

Set the height of the inner chimney so that it aligns with the inner bracket and secure it with screws.

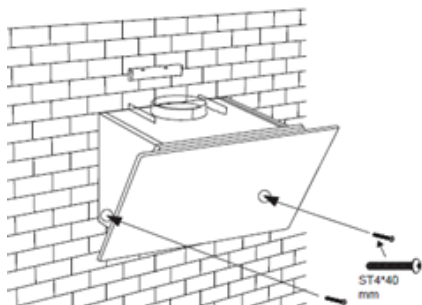
Step 6: Install the Exhaust Pipe (ducted operation only)

Attach one end of the exhaust pipe to the range hood and the other end to the wall exhaust outlet. Ensure the pipe is securely fitted and that no gaps remain, so the exhaust is properly directed outside.



Step 7: Safety Screws

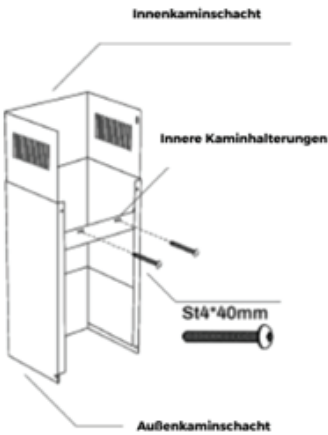
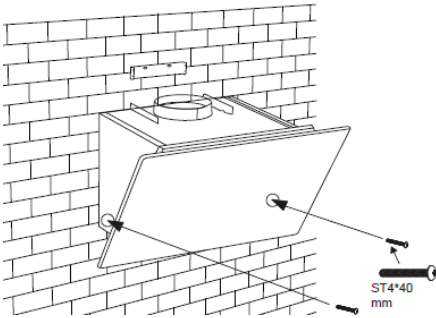
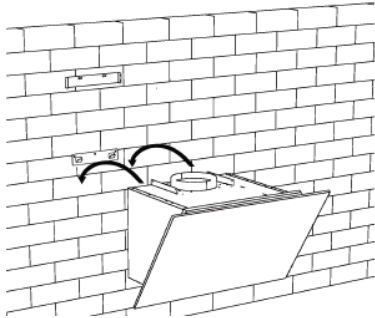
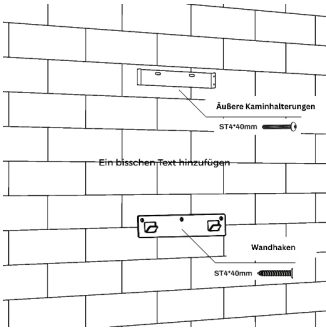
This step is optional: additionally secure the range hood with the safety screws at the back. The two holes have a diameter of 6 mm. When you remove the filters, you will see 6 mm holes at the back inside the range hood. These can be used as extra mounting points to securely fix the range hood to the wall.



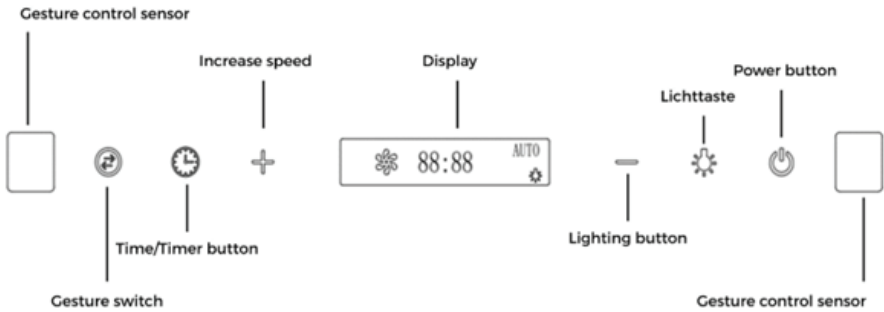
Step 8: Completion

Check that the range hood is hanging straight and that the chimney is securely mounted. Connect the unit to the power supply and test its functionality.

INSTALLATION STEPS (IMAGES)



CONTROL PANEL DISPLAY



Note

When powered on, the LCD screen displays the time.

When the cooker hood is powered on again, the power button flashes for 30 seconds.

During this period, press any function key on the remote control to pair it. Upon successful pairing, a buzzer sounds and the power button stops flashing. The pairing function automatically exits after 30 seconds or can be terminated by pressing any button on the hood during this time.

(Without pairing a new remote, the previous pairing is retained by default.)

1. Power Button

Touch the power button: the buzzer sounds, the indicator light illuminates, and the LCD displays the F1 speed icon, indicating the fan is running at low speed (1st gear).

Touch the power button again: the buzzer sounds, the indicator light goes off, and both the fan and lighting switch off.

2. Speed Increase

While the fan is operating, touch the speed increase button. The buzzer sounds, the increase indicator lights up for 2 seconds then turns off. The LCD shows the fan speed increased by one level, and the fan accelerates. Each subsequent press increases the speed from F1 to F9. After F9, pressing again cycles backward from F9 to F1.

Level 9 is the Wok/Stir-Fry mode, indicated by a flashing increase icon. This mode lasts 5 minutes, then automatically switches to level 8. (Alternatively, pressing the decrease button immediately returns to level 8.)

3. Speed Decrease

While the fan is operating, touch the speed decrease button. A buzzer sounds, and the decrease indicator lights up for 2 seconds and then turns off. Each press adjusts the fan speed according to the corresponding level. At level 1, pressing again cycles through levels 9 to 1.

4. Time/Timer Button

While the fan is running at any speed, press the Time/Timer button: a buzzer sounds, activating the 5-minute delay shutdown. After 5 minutes, the fan and light switch off automatically. Press again to exit delay mode. (You can also exit by pressing any speed button.)

In standby mode, press and hold the Time/Timer button for 3 seconds to enter clock setting mode. The hour position on the LCD flashes.

- Press the Minus key: decrease hours by 1 (long press for continuous decrease).
- Press the Plus key: increase hours by 1 (long press for continuous increase).
- Press the Time/Timer button once to switch to minute setting; the minute display flashes.
- Press Minus/Plus to decrease/increase minutes (long press for continuous adjustment).
- Press Time/Timer once to confirm and exit. Clock range: 00:00–23:59.

Note: During this phase, the key indicator flashes when pressing Minus or Plus; stays lit on long press.

While the fan is operating, pressing the Time/Timer button activates delay mode: the indicator lights up, plus/minus indicators and LCD time flash for 5 seconds.

- Press Time/Timer to cycle delay through 15–30–45–60 minutes.
- Alternatively, Plus adds 1 minute, Minus subtracts 1 minute. Adjustable range: 1–60 minutes.
- After 5-second flash, countdown begins; at end, a 3-second buzzer sounds, then all functions stop.

5. Lighting Button

Touch to activate the buzzer, light the indicator, and switch on lighting.
Touch again to deactivate.

6. Gesture Control

Hold your hand max. 100 mm above the sensor and swipe left to right: buzzer sounds, mode and light indicators illuminate, light turns on, fan starts at level 1. Swipe again to increase speed to level 2, and so on up to level 9. Swipe once more to cycle back to level 1. Swipe right to left while running: fan and light switch off immediately.

7. Gesture Switch

Press and hold for 2 seconds: buzzer sounds, increase indicator lights 2 seconds then off, LCD AUTO icon off — gesture control disabled.

Press and hold again 2 seconds: buzzer sounds, increase indicator lights 2 seconds then off, LCD AUTO icon on — gesture control enabled.

(Gesture control is enabled by default at startup.)

8. Remote Control Code Pairing



Power Button:

Press once: The buzzer sounds, the indicator light turns on, and "1" appears on the display, indicating the fan operates at low speed (level 1).

Press again: Turns off.

(This button can also be used to turn off the fan while it is running.)

Lighting Button:

Press once: The buzzer sounds and the light turns on.

Press again: The light turns off.

Timer/Delay Button:

While the fan is running at any speed, press: The buzzer sounds and the 5-minute delayed shutdown is activated. After 5 minutes, the fan and lighting will automatically turn off.

Press again: Cancels the delay function.

(The delay can also be canceled by pressing the speed button.)

Speed Up:

Press while the unit is running: The buzzer sounds and the fan speed increases by one level.

Speed Down:

Press while the fan is running: The buzzer sounds and the fan speed decreases by one level.

Gesture Function AUTO:

Enables or disables gesture control.

MAINTENANCE

- Always unplug the appliance before performing any maintenance.
- Wear protective gloves to avoid cuts.
- Do not allow water to enter electrical components.
- Replace damaged power cords only with manufacturer-approved replacement parts.
- Regularly clean grease filters, air guide rings, fan wheels, and oil collectors.
- Wipe the exterior casing after each use with a dry or slightly damp cloth and a neutral cleaner.
- Clean the air guide ring regularly and the smoke covers immediately after use.
- Use only neutral cleaning agents to avoid damaging the protective coating of the hood.
- Regularly empty and clean the oil collector.
- Failure to follow these cleaning instructions may pose a fire hazard.

CLEANING AND CARE

- Use only neutral cleaning agents for cleaning components; avoid strong acids or alkalis.
- To prevent deformation or damage, soak parts for 30 minutes before cleaning.
- Rinse components thoroughly with clean water after cleaning and dry them with a soft cloth.
- Clean electrical components only with a dry, soft cloth or soft brush; do not apply water or cleaning agents to electrical parts.
- After maintenance, reassemble the components in the reverse order of disassembly.

TROUBLESHOOTING

1. Fault: Light on, motor does not work

Cause: Blockage present

Solution: Remove the blockage

2. Fault: Capacitor damaged

Cause: Capacitor defective

Solution: Replace the capacitor

3. Fault: Motor jammed / bearing damaged

Cause: Motor bearing damaged or motor jammed, possible unusual smell from motor

Solution: Replace the motor

4. Fault: Light does not work

Cause: Lamp defective

Solution: Replace the lamp

5. Fault: Oil drips from the metal grease filter

Cause: Heavily soiled filter

Solution: Clean or replace the metal grease filter immediately

6. Fault: Device shakes / vibrates

- **Cause:** Defective blade causing vibration

- **Solution:** Replace the blade

- **Cause:** Motor not properly secured

- **Solution:** Secure the motor tightly

- **Cause:** Housing not properly secured

- **Solution:** Secure the housing tightly

7. Fault: Insufficient suction

- **Cause:** Distance between hood and cooktop too large

- **Solution:** Readjust the distance

- **Cause:** Excessive ventilation from open doors or windows

- **Solution:** Choose a new location and reposition the appliance accordingly

To know more about this product, please visit our youtube channel



