

## DIGITAL MICROWAVE OVEN

### ELK25MB1

#### User Manual

Please read this manual carefully and retain for future references.

## IMPORTANT SAFETY INSTRUCTIONS

Read carefully and keep for future reference.

**WARNING:** If the door or the door seals are damaged, the oven must not be operated until it has been repaired by a trained professional.

**WARNING:** It is hazardous for anyone other than a trained person to carry out any service or repair operation that involves the removal of covers protecting against exposure to microwave energy.

**WARNING:** Liquids or other foods must not be heated in sealed containers, as they may explode.

- 1- Only use utensils that are suitable for use in microwave ovens.
- 2- Metal containers for food and beverages are not permitted during microwave operation.
- 3- When heating food in plastic or paper containers, the oven must be observed due to the risk of fire.
- 4- The microwave oven is intended for heating food and beverages only. Drying food or clothing or heating warming pads, slippers, sponges, damp cloths, or similar items may result in injury, fire, or fire hazard.
- 5- If smoke occurs, switch off the appliance or unplug it and keep the door closed to smother any flames. Heating beverages can result in delayed boiling; therefore, care must be taken when handling the container.
- 6- The contents of baby food jars and bottles must be stirred or shaken and the temperature checked before consumption to avoid burns.
- 7- Eggs in their shells and whole hard-boiled eggs must not be heated in the microwave oven, as they may explode even after microwave heating has ended.
- 8- Failure to keep the oven clean may lead to deterioration of the surface, which could shorten the service life of the appliance and possibly result in a hazardous situation.
- 9- The appliance must not be installed in a cabinet.
- 10- Take care not to displace the turntable when removing containers.
- 11- The appliance must not be cleaned with a steam cleaner.
- 12- The appliance must not be installed higher than 900 mm above the floor. The minimum clearance above the top of the oven can be found in the installation drawing.

**WARNING:** When operating in combination mode, children should only use the oven under adult supervision due to the high temperatures generated.

**CAUTION: HOT SURFACE**

13- If the power supply cord is damaged, it must be replaced by the manufacturer, its service agent, or a similarly qualified person in order to avoid a hazard.

14- This appliance can be used by children aged 8 years and above and by persons with reduced physical, sensory, or mental capabilities or lack of experience and knowledge if they have been given supervision or instruction concerning safe use of the appliance and understand the hazards involved.

15- Children must not play with the appliance.

16- Cleaning and user maintenance must not be carried out by children without supervision.

17- Do not place the glass turntable directly into cold water after use. Allow it to cool for at least 20 minutes before placing it in water to prevent cracking.

18- Group 2 Class B equipment:

- Group 2 ISM equipment: all ISM equipment in which radio-frequency energy is intentionally generated and/or used in the form of electromagnetic radiation.
- Class B: equipment suitable for domestic use and for buildings connected to a low-voltage power supply network used for residential purposes.

19- The mains plug must remain easily accessible after installation.

20- The appliance must not be installed in a cabinet with a door.

21- The internal light source of the product is an LED with < 60 lm.

22- After 15 minutes without operation or after the end of operation, the appliance switches to standby mode. Power consumption in standby mode does not exceed 0.8 W.

23- Built-in ovens must be ventilated from the front only, unless ventilation via a duct is provided.

24- During operation, the appliance becomes hot. Avoid touching heating elements inside the oven.

**WARNING:** Accessible parts may become hot. Keep children away.

25- Take care not to touch the heating elements.

26- Children under 8 years of age must be kept away unless continuously supervised.

27- Do not use abrasive cleaners or sharp metal scrapers to clean the glass door window, as they can scratch the surface and cause the glass to shatter.

28- The appliance must not be installed behind a decorative door to avoid overheating.

This appliance can be used by children aged 8 years and above and by persons with reduced physical, sensory, or mental capabilities if they are supervised or instructed. Children must not play with the appliance. Cleaning and maintenance must not be carried out by children without supervision, paying attention to the correct positioning of the shelves.

### Technical Specifications

- **Capacity:** 25 liters
- **Control:** Digital touch display
- **Door:** Large glass door for easy viewing of food
- **8** Automatic cooking programs
- **5** Individual microwave functions
- **Defrost function**
- **Power:**
- **Input:** 1320 W
- **Grill:** 1200 W
- **Microwave:** 850 W
- **Timer:** 60-minute cooking time
- **Clock:** Digital clock
- **Turntable:** 315 mm glass
- **Functions:** End-of-cooking signal
- **Housing:** High-gloss black
- **Interior:** Stainless steel
- **Power supply:** 220–240 V
- **Design:** Built-in
- **Dimensions (W × H × D):** 595 x 385 x 367.5 mm

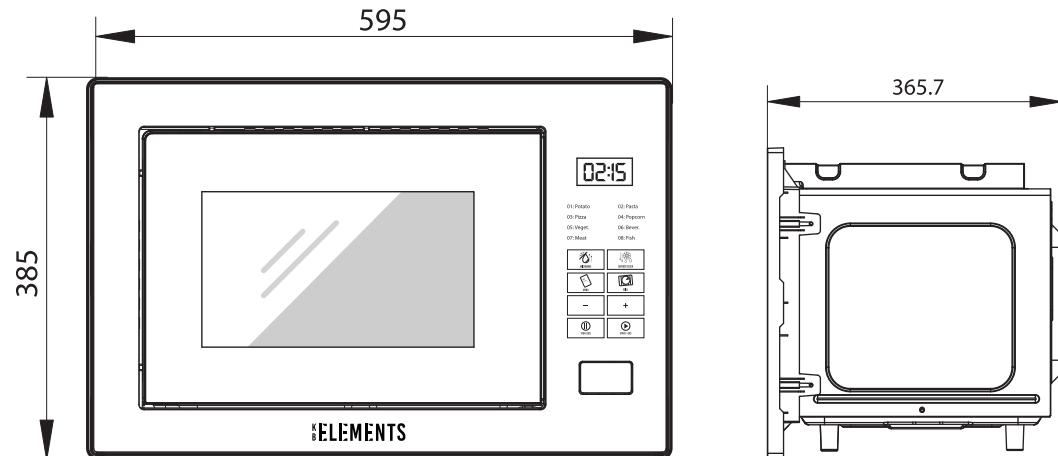
### Installation

**1- Place the microwave oven into the built-in cabinet and slide it forward until it stops. (Fig. 1)**

**2- Push the microwave oven fully forward until it stops. (Fig. 2)**

**3- Move the appliance parallel inside the kitchen cabinet in the direction indicated by the arrows in the illustration and keep it centered. (Fig. 3)**

**4- Use the screws supplied in the packaging to secure the microwave oven inside the cabinet. (Fig. 4)**



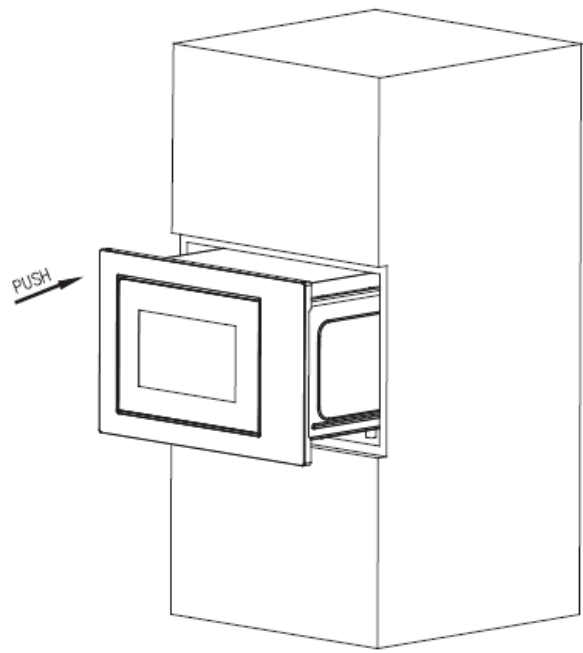


Fig.1

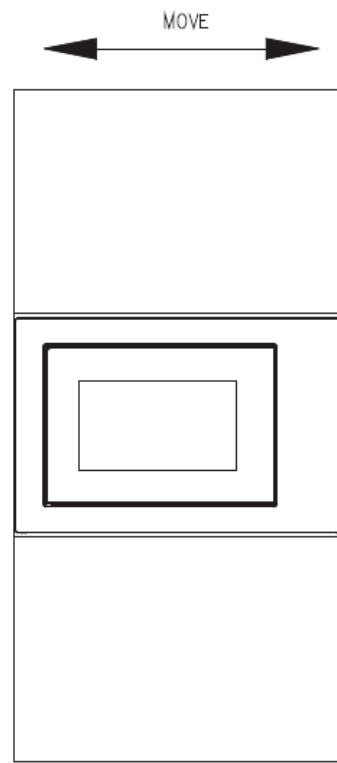


Fig.3

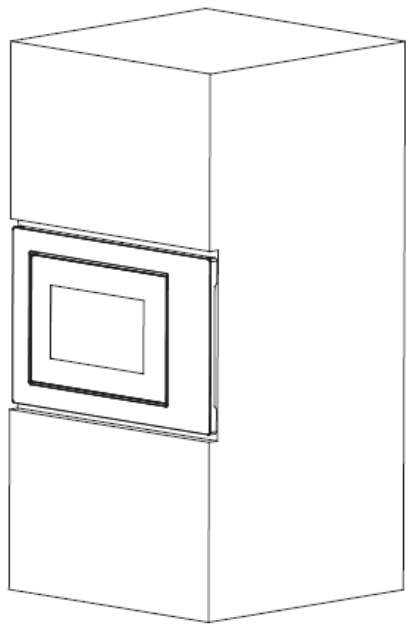


Fig.2

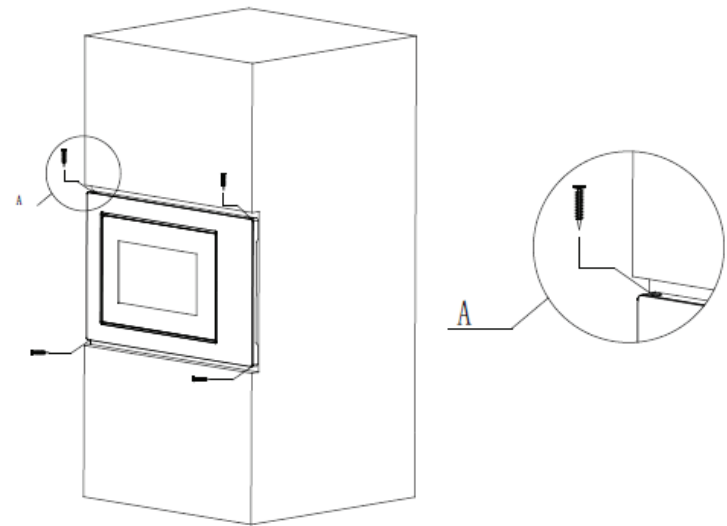


Fig.4

### Cabinet Details:

Product dimensions: (W) 595 x (H) 385 x (D) 367.5 mm

Cut-out dimensions: (D)  $560 \pm 2$  x (E)  $360 \pm 2$  x (F)  $550 \pm 2$  mm, as shown in Fig. 5 under "D", "E", and "F"

G (panel thickness): 20 mm

I (panel thickness): 20 mm

H (divider panel): 20 mm

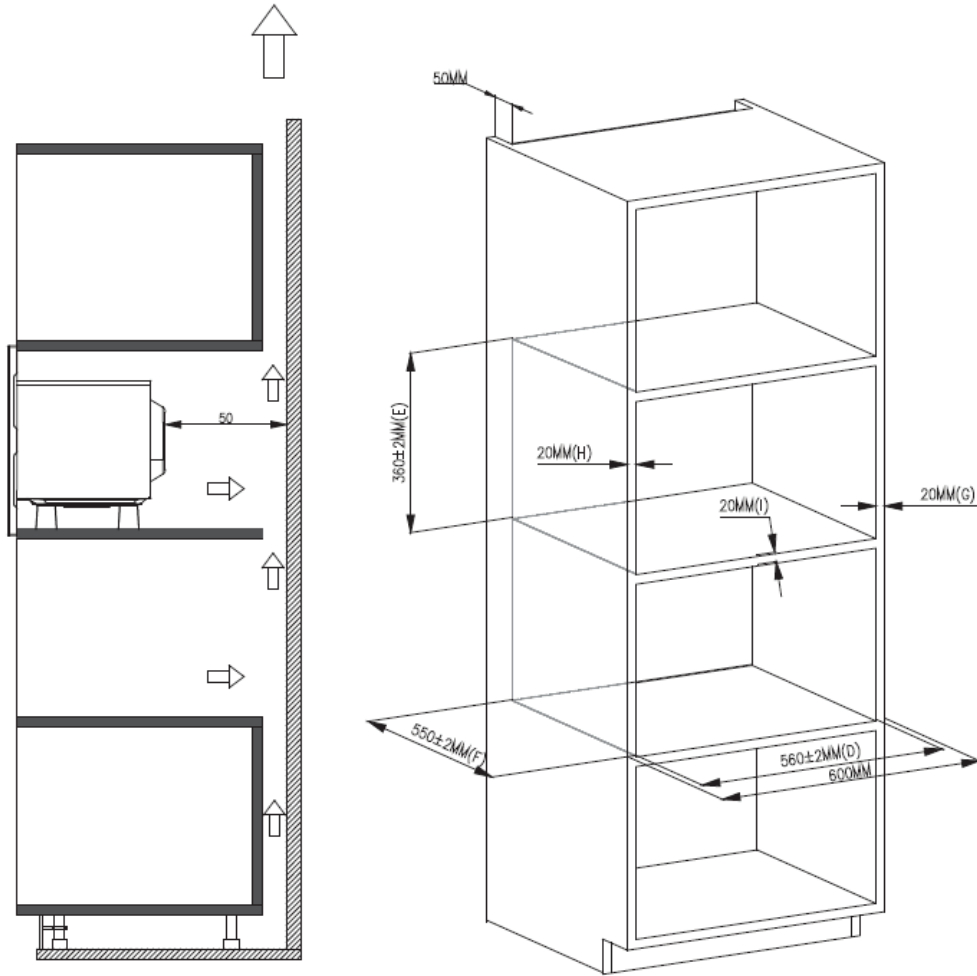
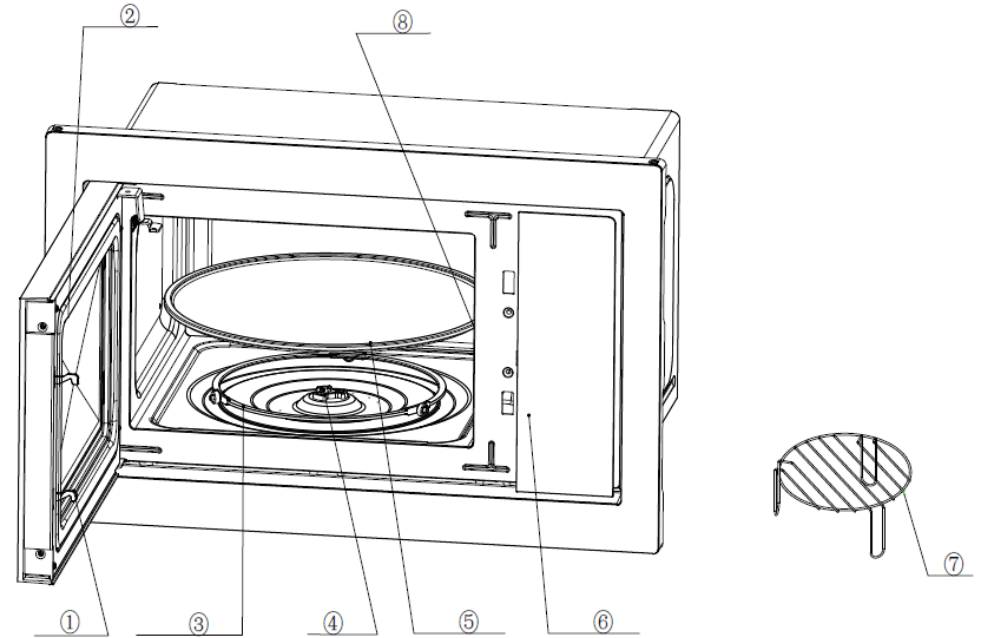


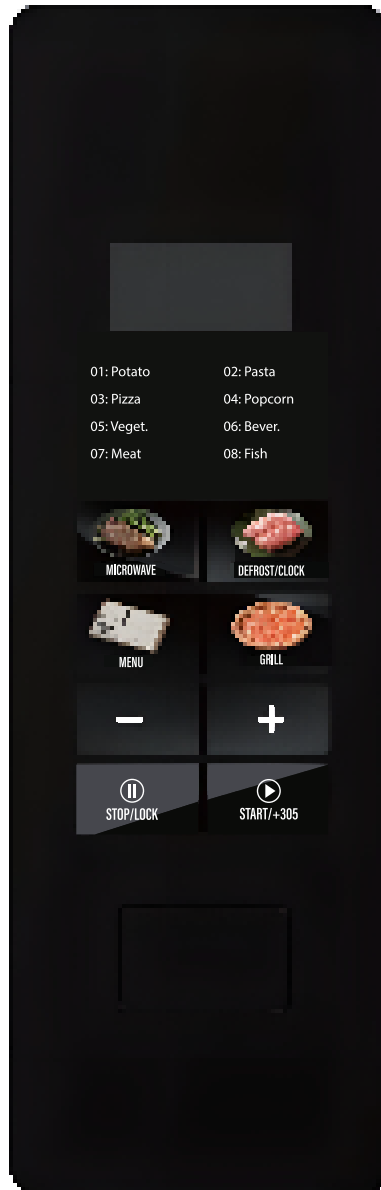
Fig.5

### Operating Instructions



- 1- Door Lock: The microwave door must be properly closed for the appliance to operate.
- 2- Viewing Window: Allows the user to monitor the cooking process.
- 3- Turntable Ring: The glass turntable sits on the rollers of the turntable ring; it supports the turntable and ensures it stays balanced while rotating.
- 4- Turntable Shaft: The glass turntable rests on the turntable shaft; the motor underneath drives the turntable during operation.
- 5- Turntable: Food is placed on the turntable. Its rotation during operation ensures even cooking.
  - First, place the turntable ring.
  - Then place the turntable onto the turntable shaft and make sure it is properly seated.
- 6- Control Panel :See details below (the control panel may be changed without prior notice).
- 7- Grill Rack: Used to place the food for grilling.
- 8- Waveguide Cover: Located inside the appliance, next to the control panel wall. Never remove the waveguide cover.

## CONTROL PANEL



### 1. BEFORE COOKING

The display lights up as soon as the appliance is connected to the power supply. It then switches to standby mode and shows "1:00".

### 2. MICROWAVE FUNCTION

There are five microwave power levels: 100%, 80%, 50%, 30%, and 10%. Press this button repeatedly to select the desired power level. Use the "+" or "-" button to set the cooking time; adjustable range is from 0:10 to 60:00 minutes. After selecting the time, press the "START/+30 s" button to begin operation. A beep will indicate the end of the cooking process.

- 1- HIGH (100%) – Suitable for fast and thorough cooking
- 2- MEDIUM HIGH (80%) – Suitable for moderately fast cooking
- 3- MEDIUM (50%) – Suitable for steaming food
- 4- MEDIUM LOW (30%) – Suitable for defrosting food
- 5- LOW (10%) – Suitable for keeping food warm

### CAUTION

- 1- Maximum settable time is 60 minutes.
- 2- Never use the grill rack during microwave operation.
- 3- Never operate the oven empty.
- 4- At maximum microwave power, the oven automatically reduces power after a certain cooking time to extend its service life.
- 5- If you turn the food during operation, press the "START/+30 s" button once; the preset cooking program will continue.
- 6- If you want to remove food before the preset time ends, press the "STOP/LOCK" button once to cancel the preset program and avoid unintentional operation during the next use.

### 3. DEFROST / CLOCK

#### 3.1 DEFROST

There are two defrost modes: dEF1 and dEF2.

- **dEF1:** Defrost by weight
- **dEF2:** Defrost by time

Press this button to switch between defrosting by weight or by time; the display will show “dEF1” or “dEF2”.

Use the “+” or “-” button to set the food weight or defrosting time.

- Weight range for **dEF1:** 100 g to 1500 g
- Time range for **dEF2:** 0:10 to 60:00 minutes

After selecting the defrost weight or time, press the “START/+30 s” button to begin. A beep will indicate the end of the process.

In **dEF1** (weight) mode, a beep will sound during defrosting to remind you to turn the food.

#### Recommended defrost settings:

- **dEF1:** Defrost by weight, setting range: 100–1500 g
- **dEF2:** Defrost by time, setting range: 0:10–60:00 minutes

#### CAUTION

- 1- Food should be turned during operation to ensure even defrosting.
- 2- Defrosting usually takes longer than cooking.
- 3- The defrosting process is complete when the food can be cut with a knife.
- 4- Microwaves penetrate most foods to approximately 4 cm.
- 5- Defrosted food should be consumed as soon as possible; it is not recommended to refrigerate and refreeze it.

#### 3.2 CLOCK (24-Hour Format)

In standby mode, press and hold this button for more than 3 seconds to enter the clock setting mode. The hour digits will start flashing.

- Set the hours using the “+” or “-” button.
- Press “START/+30 s” briefly to confirm and move to the minutes setting.
- Set the minutes using the “+” or “-” button.
- Press “START/+30 s” briefly again to confirm the time and exit the setting mode.

### 4. AUTOMATIC COOKING

There are eight automatic menus, A.1 to A.8: Potato, Pasta, Pizza, Popcorn, Vegetables, Beverage, Meat, and Fish.

Press this button repeatedly to select the desired menu; the display will show A.1 to A.8.

Use the “+” or “-” button to set the portion size. After selecting the portion, press “START/+30 s” to begin.

A beep will indicate the end of the cooking process.

- **Menu A.1 – Potato** – Portion sizes: 250 g, 500 g, 750 g
- **Menu A.2 – Pasta** – Portion sizes: 50 g, 100 g, 150 g
- **Menu A.3 – Pizza** – Portion sizes: 200 g, 400 g
- **Menu A.4 – Popcorn** – Portion size: 100 g
- **Menu A.5 – Vegetables** – Portion sizes: 200 g, 400 g, 600 g
- **Menu A.6 – Beverage** – Portions: 1 cup, 2 cups, 3 cups (approx. 250 ml each)
- **Menu A.7 – Meat** – Portion sizes: 200 g, 400 g, 600 g
- **Menu A.8 – Fish** – Portion sizes: 200 g, 400 g, 600 g

#### CAUTION

1- The temperature of the food before cooking should be 20–25 °C. Higher or lower temperatures may require longer or shorter cooking times.

2- Temperature, weight, and shape of the food greatly affect cooking results. If the food differs from the above menu specifications, adjust the cooking time for the best results.

#### 5- GRILL FUNCTION

There are three grill modes: G., C-1, and C-2.

- G. = Grill
- C-1 = Combination of Grill and Microwave 1
- C-2 = Combination of Grill and Microwave 2

Press this button to select the desired mode; the display will show “G.”, “C-1”, or “C-2”.

Use the “+” or “-” button to set the cooking time; adjustable range is 0:10 to 60:00 minutes. After selecting the time, press “START/+30 s” to start. A beep will indicate the end of cooking.

- G. – Grill: The heating element is active throughout the cooking time. Suitable for roasting thin meat cuts, pork, sausages, or chicken wings, providing a nice browning.
- C-1 – Grill & Microwave Combination: 30% microwave, 70% grill
- C-2 – Grill & Microwave Combination: 55% microwave, 45% grill

#### CAUTION

In grill mode, all parts of the oven, including the grill rack and cookware, can become very hot. Be careful when removing items. Use thick oven mitts or gloves to avoid burns.

#### 6- STOP/LOCK

- During program setting, press the STOP/LOCK button to cancel the settings and return to standby mode.
- During microwave operation, press STOP/LOCK to pause the process. In paused mode, pressing STOP/LOCK again will cancel the function and return the oven to standby mode.

#### 7- START/+30 s

- After setting cooking time or food weight, press START/+30 s to immediately start the microwave oven.
- During operation, pressing START/+30 s will extend the time; one press increases the time by 30 seconds. Note: In menu mode and weight-based defrost mode, time cannot be adjusted.
- In paused mode, pressing START/+30 s will resume the microwave in the previous cooking mode.

#### 8- EXPRESS COOK

- In standby mode: After placing the food and closing the door, press START/+30 s to quickly start the microwave. The preset cooking time is 30 seconds.
- During operation, pressing START/+30 s once will extend the cooking time by 30 seconds. A beep will indicate the end of the process.

#### 9- CHILD LOCK

This function locks the control panel, for example, during cleaning or to prevent children from using the oven unattended. In this mode, all buttons except STOP/LOCK are disabled.

1- Activate Lock: In standby mode, press and hold STOP/LOCK for more than 3 seconds. The child lock is activated, and all microwave buttons except STOP/LOCK are disabled.

2- Deactivate Lock: In child lock mode, press and hold STOP/LOCK for more than 3 seconds to deactivate the child lock. All microwave buttons will function normally again.

#### DISHWARE GUIDELINES

It is strongly recommended to use only containers that are suitable and safe for microwave use. In general, heat-resistant ceramic, glass, or plastic containers are suitable for microwave cooking.

Metal containers must not be used for microwave cooking or combination programs, as they can cause sparks. The following table can serve as a guideline.

## CONTAINER MATERIALS – USAGE RECOMMENDATIONS

Material	Microwave Grill Combination			Notes
Heat-resistant ceramic	Yes	Yes	Yes	Do not use ceramic with metal rims or metallic glaze. Recommended: ceramic, heat-resistant glass, plastic containers above 120°C.
Heat-resistant plastic	Yes	No	No	Not suitable for prolonged microwave cooking.
Heat-resistant glass	Yes	Yes	Yes	—
Plastic wrap	Yes	No	No	Do not use for cooking meat or chops, as overheating can damage the wrap.
Grill rack	No	Yes	Yes	Use only in grill or combination mode.
Metal containers	No	No	No	Do not use in the microwave, as microwaves cannot penetrate metal.
Painted surfaces	No	No	No	Low heat resistance, not suitable for high-temperature cooking.
Bamboo, wood, and paper	No	No	No	Low heat resistance, not suitable for high-temperature cooking.

## COOKING TIPS

The following factors can affect cooking results:

### Food Arrangement

Place thicker portions at the edge of the container and thinner portions in the center, distributing food evenly. Avoid overlapping whenever possible.

### Cooking Time

Start with a short cooking time, check the results when finished, and extend the time if necessary. Cooking for too long may cause smoke or burning.

## COOKING EVENLY

### Turn Food During Cooking

Foods such as chicken, hamburgers, or steak should be turned once during cooking. Depending on the type of food, it may be helpful to stir from the outside to the inside one or two times.

### Observe Standing Time

After the cooking time ends, leave the food in the oven for a short while. This allows the cooking process to finish completely and the food to cool down gradually.

### Check Doneness

Color and texture help determine whether food is fully cooked:

- Steam should escape from all parts, not just the edges
- Poultry joints should move easily
- Pork or poultry should show no traces of blood
- Fish should be opaque and easily flake with a fork

### Browning Food

When using browning dishes or self-heating containers, always place a heat-resistant plate, such as a porcelain plate, underneath to protect the turntable and turntable ring.

### Microwave-Safe Plastic Wrap

For foods with high fat content, the wrap should not directly touch the food, as it may melt.

### Microwave-Safe Plastic Containers

Some microwave-safe plastic containers are not suitable for foods with high fat or sugar content. Do not exceed the preheating time specified in the container's manual.

## CLEANING

### MICROWAVE OVEN CARE

The oven should be cleaned regularly, and all food residues removed.

- 1- Unplug the appliance before cleaning and wait until it cools down. Do not immerse the appliance in water or other liquids.
- 2- Failure to keep the oven clean can damage the surface, shorten the appliance's lifespan, and create a hazardous situation.
- 3- Never use harsh cleaning agents, gasoline, abrasive cleaners, or metal brushes to clean any part of the appliance.
- 4- Do not remove the waveguide cover.
- 5- After prolonged use, the appliance may develop unpleasant odors. The following methods can help remove them:
  - Place some lemon slices in a cup and heat at high microwave power for 2–3 minutes.
  - Place a cup of red tea in the oven and heat at high microwave power.
  - Place some orange peel in the oven and heat at high microwave power for 1 minute.
- 6- When not in use, store the appliance in a dry and well-ventilated place.

### CLEANING DETAILS FOR FOOD-CONTACT SURFACES

After use, wipe the waveguide cover with a damp cloth, then dry it with a clean cloth to remove food residues and grease. Accumulated grease can overheat, produce smoke, or catch fire.

## CLEANING TIPS

Door Seals, Interior, and Adjacent Parts

### Exterior:

- Wipe the casing with a slightly damp, soft cloth.

### Door:

- Clean the door and viewing window with a slightly damp, soft cloth.
- Wipe the door seals and adjacent parts to remove splashes or dirt.
- Wipe the control panel with a slightly damp, soft cloth.

### Interior Walls:

- Clean the interior surfaces with a slightly damp, soft cloth.
- Wipe the waveguide cover to remove food residues.

### Turntable / Turntable Ring / Turntable Shaft:

- Clean with mild soapy water.
- Rinse with clean water and dry thoroughly.

## MAINTENANCE

### SERVICE NOTES

Please check the following before contacting customer service:

- Place a cup of water (approx. 150 ml) in a glass container inside the oven and close the door securely. The oven light should turn off if the door is properly closed. Run the oven for 1 minute.
- Does the oven light turn on?
- Does the cooling fan operate?

*(Place your hand over the rear vents to feel airflow.)*

- Does the turntable rotate?

*(The turntable may rotate clockwise or counterclockwise – this is normal.)*

- Is the water in the oven hot?

If any of the answers are “NO,” please check your power outlet and circuit breaker.

If both the outlet and circuit breaker are functioning correctly, **CONTACT YOUR NEAREST AUTHORIZED SERVICE CENTER.**

### SAFETY INSTRUCTIONS FOR SERVICE

#### Caution: Microwave Radiation

1- The high-voltage capacitor remains charged even after the appliance is disconnected from the power supply. Before touching, discharge the negative terminal of the high-voltage capacitor by short-circuiting it with the oven casing using a screwdriver.

2- During maintenance, the following parts may be removed, exposing voltages above 250 V to ground:

- Magnetron
- High-voltage transformer
- High-voltage capacitor
- High-voltage diode
- High-voltage fuse *(the exact arrangement may vary depending on the model.)*

3- The following conditions during maintenance can result in unsafe microwave exposure:

- - Improper installation of the magnetron
- - Incorrect alignment of the door lock, door hinge, and door
- - Improper installation of the switch bracket
- - Damaged door, door seal, or casing

### PROPER DISPOSAL OF THIS PRODUCT

Dispose of the appliance according to local regulations for electronic waste to prevent environmental harm.



*This symbol indicates that this product must not be disposed of with household waste. To prevent potential harm to the environment or human health from improper disposal, the product should be recycled properly to promote the sustainable reuse of material resources.*

*Please use the designated collection and return systems for your used appliance, or contact the retailer where the product was purchased. They can ensure the product is disposed of in an environmentally responsible manner.*